

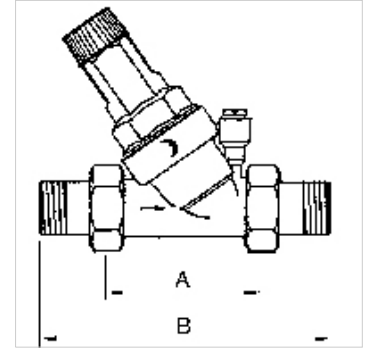
K-DRG SAXONIA M MANO

Pressure regulators

HANSA FLEX

Caracteristici

Presiune de intrare	Max. 16 bar
Medii	Drinking water
Temperatura de lucru	Max. 30 °C
Material de etanșare	NBR
Apărătoare de arc	Plastic
Carcasă	Brass
Sită cilindrică	Plastic, with control dial for back pressure
Alte date	DVGW Zertifikat



Indicație

Alte date sunt disponibile la cerere.

Descriere

Diaphragm pressure regulators with pressure-reduced single-seated valve and built-in strainer. These pressure regulators, which are independent of inlet pressure, protect domestic water installations against excessive supply pressure. They can also be used for commercial or industrial purposes providing their specification is adequate.

Articol

Denumire	Filet	DN	Domeniu de reglare	Debit valoare kvs (m ³ /h)	A (mm)	B
K- 07 25 04 72	R 3/4	20	1.5 - 6 bar	3,4	90,0	158,0 mm
K- 07 25 04 73	R 1	25	1.5 - 6 bar	5,3	100,0	184,0 mm
K- 07 25 04 74	R 1 1/4	32	1.5 - 6 bar	8,6	130,0	228,0 mm

Piese de schimb

K-VENTILAUUSTAUSCHSATZ	Valve replacement kit
K-ERSATZSIEBE	Replacement strainer
K-RMM U STAHL	Standard pressure gauges (sheet steel housing / connection radial on bottom)