

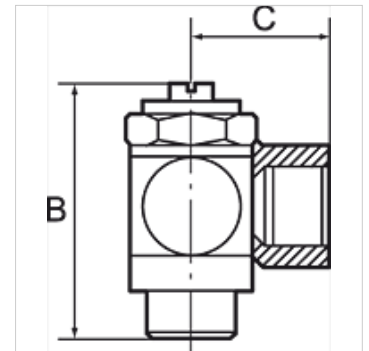
# K-DRV SCHNVERSCHR V SCHLITZ

Unidirectional flow control valves, incoming air restriction (»V«), quick-lock screw fitting

**HANSA FLEX**

## Caracteristici

Presiune de lucru	max. 10 bari
Domeniu de temperaturi	0 °C to +70 °C
Șurub tubular, braț pivotant, șurub de reglare	Nickel-plated brass
Piese interioare	Brass with a bare metal surface
Buză de etanșare inel O	NBR
Garnituri de etanșare (captive)	Polyamide (glass fibre-reinforced)



## Indicație

Alte date sunt disponibile la cerere.

## Descriere

For fine regulation of a cylinder piston speed in the forward and return motion and precise control of flow rates. Designed as a banjo-type valve with a hollow bolt and ring piece. Can be screwed directly onto the valve or cylinder to restrict the incoming air. Compact type of construction, also ideal where space is restricted.

## Articol

Denumire	C (mm)	pentru furtun	Filet	Deschiderea cheii fixe	B (mm)
K- 07 15 05 63	18,0	4 mm / 2,5 mm	M 5	8 mm	24,5
K- 07 15 05 64	19,0	5 mm / 3 mm	M 5	8 mm	24,5
K- 07 15 05 65	19,0	6 mm / 4 mm	M 5	8 mm	24,5
K- 07 15 05 71	23,0	5 mm / 3 mm	G 1/8	14 mm	32,0
K- 07 15 05 72	25,0	6 mm / 4 mm	G 1/8	14 mm	32,0
K- 07 15 05 73	25,0	8 mm / 6 mm	G 1/8	14 mm	32,0
K- 07 15 05 68	26,5	6 mm / 4 mm	G 1/4	17 mm	40,0
K- 07 15 05 69	27,5	8 mm / 6 mm	G 1/4	17 mm	40,0
K- 07 15 05 67	28,5	10 mm / 8 mm	G 1/4	17 mm	40,0
K- 07 15 05 74	30,5	10 mm / 8 mm	G 3/8	20 mm	50,0