

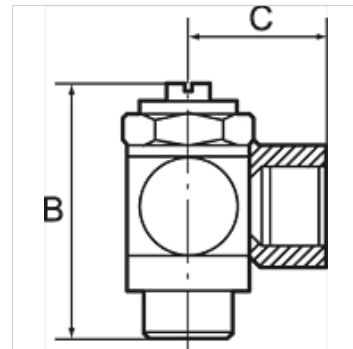
K-DV SCHNVERSCHR B SCHLITZ

Bidirectional flow control valves, air restriction at both ends (»B«), quick-lock screw fitting

HANSA FLEX

Caracteristici

Presiune de lucru	max. 10 bari
Domeniu de temperaturi	0 °C to +70 °C
Șurub tubular, braț pivotant, șurub de reglare	Nickel-plated brass
Piese interioare	Brass with a bare metal surface
Buză de etanșare inel O	NBR
Garnituri de etanșare (captive)	Polyamide (glass fibre-reinforced)



Indicație

Alte date sunt disponibile la cerere.

Descriere

For regulation of a cylinder piston speed at both ends and control of flow rates. Designed as a banjo-type valve with a hollow bolt and ring piece for mounting directly. Compact type of construction, also ideal where space is restricted.

Articol

Denumire	C (mm)	pentru furtun	Filet	Deschiderea cheii fixe	B (mm)
K- 07 15 05 50	18,0	4 mm / 2,5 mm	M 5	8 mm	24,5
K- 07 15 05 51	19,0	5 mm / 3 mm	M 5	8 mm	24,5
K- 07 15 05 52	19,0	6 mm / 4 mm	M 5	8 mm	24,5
K- 07 15 05 59	23,0	5 mm / 3 mm	G 1/8	14 mm	32,0
K- 07 15 05 60	25,0	6 mm / 4 mm	G 1/8	14 mm	32,0
K- 07 15 05 61	25,0	8 mm / 6 mm	G 1/8	14 mm	32,0
K- 07 15 05 56	26,5	6 mm / 4 mm	G 1/4	17 mm	40,0
K- 07 15 05 57	27,5	8 mm / 6 mm	G 1/4	17 mm	40,0
K- 07 15 05 55	28,5	10 mm / 8 mm	G 1/4	17 mm	40,0
K- 07 15 05 62	30,5	10 mm / 8 mm	G 3/8	20 mm	50,0