

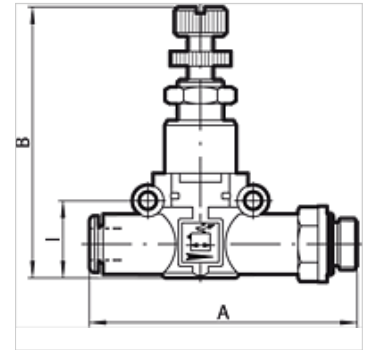
# K-DRG SCHL GEW

Pressure regulators, pipe (input) - thread (output)

**HANSA FLEX**

## Caracteristici

|                        |  |
|------------------------|--|
| Presiune de lucru      | 2 - 10 bar   |
| Debit 6,3 bari         | 400 NI/min (Ø 6 and G 1/8), 600 NI/min (Ø 8 and G 1/4)   |
| Domeniu de temperaturi | -20 °C to +60 °C   |
| Corp                   | Technopolymer  |
| Piese interioare       | nickel-plated brass, brass, \ntechnopolymer, stainless steel   |
| Material de etanșare   | NBR  |
| Montaj                 | Wall mounting (housing with drilled holes)<br>Bracket mounting (mounting bracket available)<br>Panel mounting (with bracket or lock nut) |
| Simbol                 | on the housing   |



## Indicație

Alte date sunt disponibile la cerere.

## Descriere

A carefully selected assortment of products for installation in pneumatic circuits. These small, highly efficient components allow all pneumatic functions to be implemented anywhere in the circuit. The series has an ultramodular design. <br>All components can be installed In parallel, In series, In a mixed parallel / serial configuration. Available as Pipe / pipe connection with two plug connectors Thread / pipe connection, with one plug connector and one nickel-plated brass thread.

## Articol

| Denumire       | Filet | pentru Ø furtun (mm) | Domeniu de reglare | A (mm) | B (mm) | l (mm) |
|----------------|-------|----------------------|--------------------|--------|--------|--------|
| K- 07 25 03 19 | G 1/8 | 6                    | 1 - 8 bar          | 58,5   | 52,0   | 14,6   |
| K- 07 25 03 20 | G 1/8 | 8                    | 1 - 8 bar          | 61,5   | 52,0   | 14,6   |
| K- 07 25 03 17 | G 1/4 | 6                    | 1 - 8 bar          | 66,2   | 58,0   | 18,7   |
| K- 07 25 03 18 | G 1/4 | 8                    | 1 - 8 bar          | 70,6   | 58,0   | 18,7   |
| K- 07 25 03 21 | G 3/8 | 8                    | 1 - 8 bar          | 72,2   | 58,0   | 18,7   |