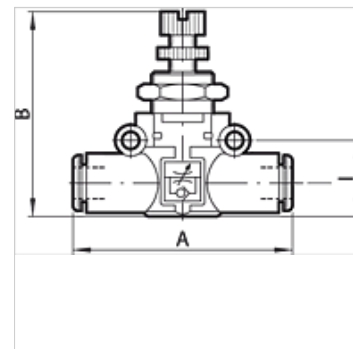
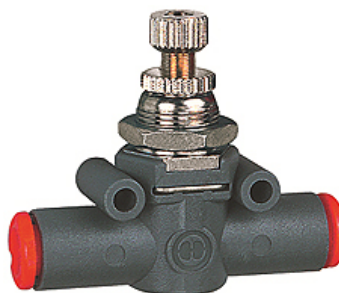


# K-DUFR E SCHL SCHL

Flow regulators, flow at one end, pipe - pipe

## Caracteristici

<b>Presiune de lucru</b>	max. 10 bari
<b>Debit 6,3 bari</b>	155 l/min (Ø 4), 450 l/min (Ø 6), 850 l/min (Ø 8)
<b>Debit Dezaerare 6,3 bari</b>	160 l/min (Ø 4), 550 l/min (Ø 6), 950 l/min (Ø 8)
<b>Reglare</b>	Manual or screwdriver
<b>Domeniu de temperaturi</b>	-20 °C to +60 °C
<b>Corp</b>	Technopolymer
<b>Piese interioare</b>	nickel-plated brass, brass, In technopolymer, stainless steel
<b>Material de etanșare</b>	NBR
<b>Montaj</b>	Wall mounting (housing with drilled holes) Bracket mounting (mounting bracket available) Panel mounting (with bracket or lock nut)
<b>Simbol</b>	on the housing



## Indicație

Alte date sunt disponibile la cerere.

## Descriere

A carefully selected assortment of products for installation in pneumatic circuits. These small, highly efficient components allow all pneumatic functions to be implemented anywhere in the circuit. The series has an ultramodular design. All components can be installed in parallel, in series, in a mixed parallel / serial configuration. Available as Pipe / pipe connection with two plug connectors Thread / pipe connection, with one plug connector and one nickel-plated brass thread.

## Articol

Denumire	pentru Ø furtun (mm)	A (mm)	B (mm)	l (mm)
<b>K- 07 15 05 82</b>	4	42,0	35,0	12,7
<b>K- 07 15 05 83</b>	6	49,4	40,0	14,6
<b>K- 07 15 05 84</b>	8	57,3	49,0	18,7