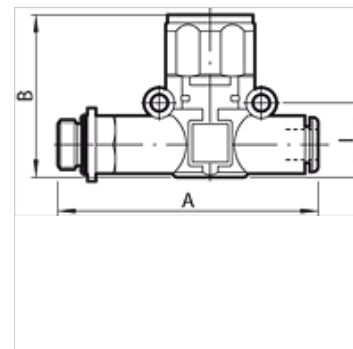
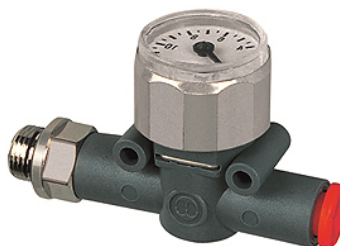


K-MANO GEW SCHL

Pressure gauges, thread (input) - pipe (output)

HANSA FLEX

Caracteristici	
Presiune de lucru	max. 12 bari
Precizie de măsurare	+/- 4 % of full-scale value
Scalare	0 - 12 bar
Domeniu de temperaturi	-20 °C to +60 °C
Corp	Technopolymer
Piese interioare	nickel-plated brass, brass, Technopolymer, stainless steel
Material de etanșare	NBR
Montaj	Wall mounting (housing with drilled holes) Bracket mounting (mounting bracket available) Panel mounting (with bracket or lock nut)
Simbol	on the housing



Indicație

Alte date sunt disponibile la cerere.

Descriere

A carefully selected assortment of products for installation in pneumatic circuits. These small, highly efficient components allow all pneumatic functions to be implemented anywhere in the circuit. The series has an ultramodular design. All components can be installed in parallel, in series, in a mixed parallel / serial configuration. Available as Pipe / pipe connection with two plug connectors Thread / pipe connection, with one plug connector and one nickel-plated brass thread.

Articol

Denumire	Filet	pentru Ø furtun (mm)	A (mm)	B (mm)	l (mm)
K- 07 15 25 39	M 5	4	47,7	36,1	12,8
K- 07 15 25 40	G 1/8	4	51,5	36,1	12,8
K- 07 15 14 15	G 1/8	6	58,3	35,0	14,6
K- 07 15 14 16	G 1/8	8	66,4	41,1	18,7
K- 07 15 14 13	G 1/4	6	61,3	35,0	14,6
K- 07 15 14 14	G 1/4	8	70,8	41,1	18,7
K- 07 15 14 17	G 3/8	8	72,4	41,1	18,7