

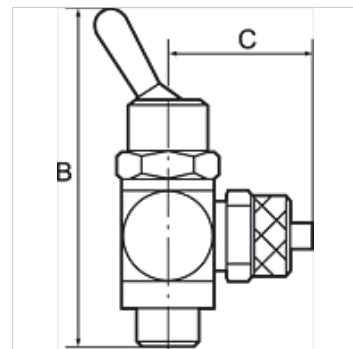
K-WKV 3/2 SCHLS STECK

3/2-way toggle valves, discharge port on thread, plug-in connector

HANSA FLEX

Caracteristici

| | |
|--|---|
| Presiune de lucru | max. 8 bari |
| Domeniu de temperaturi | 0 °C to +70 °C |
| Filet tablou de comandă | M 12 x 0.75 (sheet thickness max. 4 mm) |
| Piese interioare | Brass with a bare metal surface |
| Material de etanșare | NBR |
| Șurub tubular, braț pivotant, pârghie basculantă | Nickel-plated brass |
| Garnituri de etanșare (captive) | Polyamide (glass fibre-reinforced) |



Indicație

Alte date sunt disponibile la cerere.

Descriere

Manually operated toggle valves, 2/2 and 3/2-way types. For all applications where compressed air must be switched on or off quickly and easily or a cylinder operated manually. Designed as a banjo-type valve with a hollow bolt and ring piece. Suitable for screwing directly into the equipment or for panel mounting. Compact type of construction, also ideal where space is restricted.

Articol

| Denumire | Execuție | C (mm) | pentru furtun | Filet | Deschiderea cheii fixe | B (mm) |
|----------------|----------|-----------|---------------|-------|------------------------|-----------|
| K- 07 15 07 31 | 3/2-way | 19,5 | 4 mm | G 1/8 | 14 mm | 55,0 |
| K- 07 15 07 32 | 3/2-way | 22,0 | 6 mm | G 1/8 | 14 mm | 55,0 |
| K- 07 15 07 33 | 3/2-way | 22,5 | 8 mm | G 1/8 | 14 mm | 55,0 |
| K- 07 15 07 29 | 3/2-way | 23,5 | 6 mm | G 1/4 | 17 mm | 60,0 |
| K- 07 15 07 30 | 3/2-way | 24,0 | 8 mm | G 1/4 | 17 mm | 60,0 |
| K- 07 15 07 28 | 3/2-way | 26,5 | 10 mm | G 1/4 | 17 mm | 60,0 |