

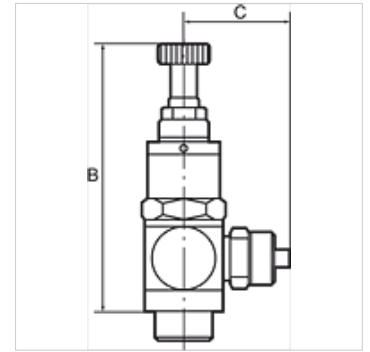
K-KDR STECK

Mini pressure regulators, discharge port on thread, plug-in connector

HANSA FLEX

Caracteristici

Domeniu de reglare	0 - 8 bar
Presiune de intrare	Max. 10 bar
Domeniu de temperaturi	0 °C to +70 °C
Șurub tubular, braț pivotant, șurub de reglare	Nickel-plated brass
Piese interioare	Brass with a bare metal surface
Buză de etanșare inel O	NBR
Garnituri de etanșare (captive)	Polyamide (glass fibre-reinforced)



Indicație

Alte date sunt disponibile la cerere.

Descriere

Piston pressure regulator with self-relieving design, hollow bolt and pivoting ring piece. The regulator is screwed directly into the consumer (e.g. cylinder, handling equipment, etc.). The working pressure can thus be adapted to the specific application.

Articol

Denumire	C (mm)	pentru furtun	Filet	Deschiderea cheii fixe	B (mm)
K- 07 25 08 40	19,5	4 mm	G 1/8	15 mm	56,0
K- 07 25 08 41	22,0	6 mm	G 1/8	15 mm	56,0
K- 07 25 08 42	22,5	8 mm	G 1/8	15 mm	56,0
K- 07 25 08 38	23,5	6 mm	G 1/4	17 mm	63,0
K- 07 25 08 39	24,0	8 mm	G 1/4	17 mm	63,0
K- 07 25 08 37	26,5	10 mm	G 1/4	17 mm	63,0