

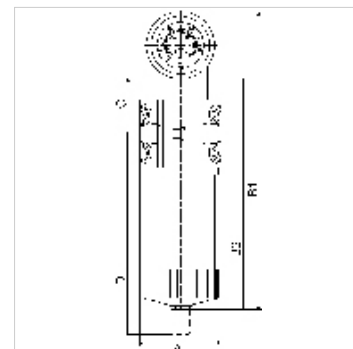
K-FI AK KOH M DIFFERENZ MANO

Activated carbon filters with differential pressure gauge

HANSA FLEX

Caracteristici

| | |
|---|---|
| Presiune de intrare | Min. 4 bar, Max. 16 bar |
| Domeniu de afișare manometru pentru presiune diferențială | 0 - 2 bar |
| Carcasă, recipient cu filtru | Aluminium |
| Temperatură ambientală | +5 °C to +60 °C |
| Cartuș de filtru | Activated carbon |
| Conținut de ulei rezidual | 0.005 mg/m ³ |
| Măsurarea valorii debitului | At P1 = 6 bar and pressure drop $\Delta p = 0.5\%$ |



Indicație

Alte date sunt disponibile la cerere.

Descriere

Suitable for all applications where the standard centrifugal separators do not afford the desired efficiency. The pre-filters and micro-filters are equipped with an automatic drain valve. All devices can be supplied with or without a differential pressure gauge. The differential pressure gauge indicates the degree of contamination of the filter element as a function of the pressure drop.

Articol

| Denumire | Filet | Debit (L/min) | A (mm) | B1 (mm) | B2 (mm) | C (mm) | D (mm) |
|----------------|---------|------------------|-----------|------------|------------|-----------|-----------|
| K- 07 25 13 18 | G 1/4 | 500 | 82,5 | 318,5 | 245,0 | 57,0 | 263,0 |
| K- 07 25 13 19 | G 3/8 | 500 | 82,5 | 318,5 | 245,0 | 57,0 | 263,0 |
| K- 07 25 13 20 | G 1/2 | 500 | 82,5 | 318,5 | 245,0 | 57,0 | 263,0 |
| K- 07 25 13 21 | G 3/4 | 1000 | 82,5 | 388,5 | 315,0 | 57,0 | 403,0 |
| K- 07 25 13 22 | G 1 | 1500 | 118,0 | 403,5 | 330,0 | 72,0 | 368,0 |
| K- 07 25 13 23 | G 1 1/4 | 2650 | 118,0 | 503,5 | 430,0 | 72,0 | 568,0 |
| K- 07 25 13 24 | G 1 1/2 | 4150 | 118,0 | 603,5 | 530,0 | 72,0 | 768,0 |
| K- 07 25 13 25 | G 2 | 6650 | 118,0 | 793,5 | 720,0 | 72,0 | 1148,0 |

Piese de schimb

| | |
|---------------------------|-----------------------------|
| K-FILTERELEMENT SONDER | Filter element |
| K-VERBINDUNGELEMENTE SOND | Connecting sets |
| K-HALTERBAUSATZ | Holder |
| K-DIFFERENZDRUCKMANOMETER | Differential pressure gauge |
| K-AUTOMAT ABLASSVENTIL | Automatic drain valve |