

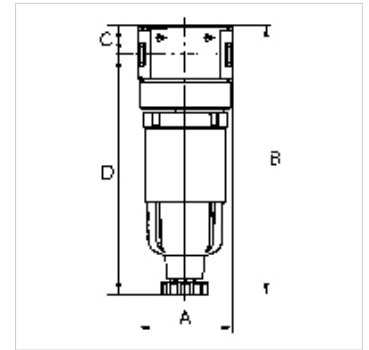
# K-FI AK KOH PC-BEHAEL MULTIFIX MINI

Activated carbon filters with polycarbonate bowl

**HANSA FLEX**

## Caracteristici

Presiune de intrare	Max. 16 bar
Temperatură mediu	max. 60 °C
Temperatură ambientală	Max. 60 °C
Material de etanșare	NBR
Cartuș de filtru	Activated carbon-POM
Carcasă	Die-cast zinc
Drain valve	Semi-automatic
Conținut de ulei rezidual	0.005 mg/m <sup>3</sup>
Măsurarea valorii debitului	FA at P1 = 6 bar and pressure drop $\Delta p = 0.2$ bar



## Indicație

If several devices in the »multifix-mini« Series are assembled together, the maximum working pressure is 12 bar.

Alte date sunt disponibile la cerere.

## Descriere

Micro-filters for compliance with strict compressed air purity requirements. Suitable for all applications where standard filters do not afford the desired efficiency.

## Articol

Denumire	Filet	Debit (L/min)	A (mm)	B	C (mm)	D (mm)	DN	Dimensiunea constructivă
K- 07 25 10 45	G 1/8	310	40,0	107,8 mm	12,3	95,5	5	0
K- 07 25 10 47	G 1/4	380	40,0	122,8 mm	12,3	110,5	5	0

## Piese de schimb

K-AUTOMAT ABLASSVENTIL	Automatic drain valve
K-KOPPELPAKET MEHR	Coupling packet
K-ERSATZBEHAELTER MULTI MINI	Spare tank »multifix-mini« & »standard-mini«