

K-SCHALLDAE SINTERBR SCHLITZ

Silencers, sintered bronze, slotted

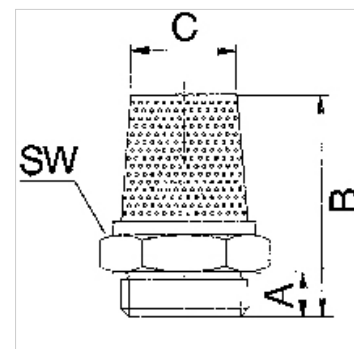
HANSA FLEX

Caracteristici

Presiune de lucru 0 - 8 bar

Temperatura de lucru -10 °C to +250 °C

Nivel de zgomot 6 bari 71 ~ 108 dB(A)



Indicație

Alte date sunt disponibile la cerere.

Descriere

For reducing the exhaust noise generated by pneumatic equipment.

Articol

Denumire	Filet	A (mm)	B (mm)	C (mm)
K- 07 40 34 83	G 1/8	5,5	21,0	8,0
K- 07 40 34 84	G 1/4	8,5	27,0	10,0
K- 07 40 34 85	G 3/8	11,0	36,0	15,0
K- 07 40 34 86	G 1/2	11,0	44,0	19,0
K- 07 40 46 95	G 3/4	12,0	65,0	20,0
K- 07 40 46 96	G 1	15,0	75,0	26,5