

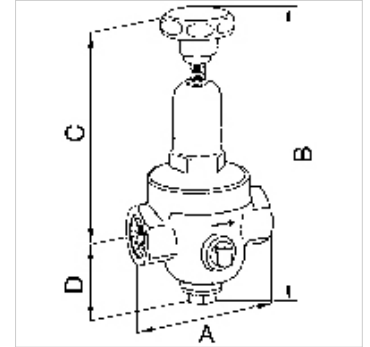
# K-DRG DRV 250 NIEDERDRUCK

DRV 250 pressure regulators, low-pressure type

**HANSA FLEX**

## Caracteristici

|                               |   |
|-------------------------------|---|
| <b>Presiune de intrare</b>    | Max. 25 bar (Series 200 and 300 Series), Max. 40 bar (400 Series)     |
| <b>Domeniu de temperaturi</b> | Max. 75 °C  |
| <b>Raport de reducere</b>     | Max. 10:1 (200 Series), Max. 20:1 (300 Series), Max. 6:1 (400 Series) |
| <b>Material de etanșare</b>   | NBR   |
| <b>Apărătoare de arc</b>      | Pressed brass up to DN 25, Grey cast iron from DN 32                  |
| <b>Carcasă</b>                | Red brass 2.1096.01   |



## Indicație

Alte date sunt disponibile la cerere.

## Descriere

Diaphragm pressure regulators with non-self-relieving design and non-pressure-reduced single-seated valve. Very precise adjustment. Good response characteristic because of only a few moving parts which hence minimal friction. Ideal for compressed air, nitrogen and other neutral, non-flammable gases, but only suitable for liquids with comparatively low flow rates.

## Indicații referitoare comandă

Alte modele la cerere

## Informații suplimentare

Alte modele la cerere

## Articol

| Denumire       | Filet | Domeniu de reglare | Debit valoare kvs (m <sup>3</sup> /h) | A (mm) | B        | C (mm) | D (mm) |
|----------------|-------|--------------------|---------------------------------------|--------|----------|--------|--------|
| K- 07 25 04 94 | G 1/4 | 0.2 - 2 bar        | 0,5                                   | 70,0   | 185,5 mm | 140,0  | 45,5   |
| K- 07 25 04 95 | G 3/8 | 0.2 - 2 bar        | 0,6                                   | 70,0   | 185,5 mm | 140,0  | 45,5   |
| K- 07 25 04 96 | G 1/2 | 0.2 - 2 bar        | 1,2                                   | 85,0   | 232,5 mm | 186,0  | 46,5   |

## Piese de schimb

K-VERSCHLEI-SATZ Set of wearing parts