

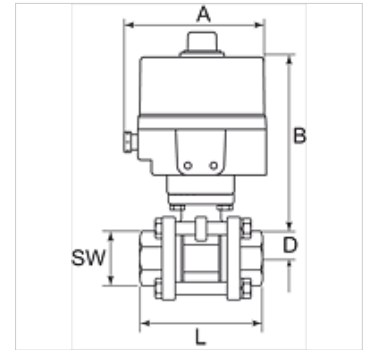
# K-BKR ELK 24VDC

Stainless steel ball valves with electric actuator 24 VDC

**HANSA FLEX**

## Caracteristici

Temperatură mediu	-20 °C to +70 °C
Presiune de lucru	max. 63 bar (depending on temperature and nominal size)
Durată de comutare	ED 30 %
Umiditatea aerului	30 % to 95 %
Poziții de cuplare	Manually operated
Clasa de protecție	IP 67
Timp de reglare	13 sec. = 230 VAC, 50 Hz 15 sec. = 24 VDC
Temperatură ambientală	-20 °C până la +60 °C
Lungime constructivă	DIN 3203 - M3
Flanșă de asamblare	ISO 5211
Carcasă	Aluminium, powder-coated
Ventil cu bilă	Stainless steel 1.4401/1.4408
Etanșare bilă	PTFE, glass fibre-reinforced
Garnitură ax de comandă	PTFE, glass fibre-reinforced



## Indicație

Alte date sunt disponibile la cerere.

## Descriere

Voltage range 230 VAC, 50 Hz or 24 VDC. <br>Reversible electric rotary actuator.

## Articol

Denumire	DN	Filet	A (mm)	B (mm)	D (mm)	L (mm)	SW (mm)
K- 07 30 20 70	15	Rp 1/2	152,0	191,0	24,0	75,0	29
K- 07 30 20 71	20	Rp 3/4	152,0	195,0	26,0	80,0	35
K- 07 30 20 72	25	Rp 1	152,0	203,0	29,0	90,0	41
K- 07 30 20 73	32	Rp 1 1/4	152,0	209,0	36,0	110,0	50
K- 07 30 20 74	40	Rp 1 1/2	152,0	219,0	40,0	120,0	58
K- 07 30 20 75	50	Rp 2	152,0	275,0	48,0	140,0	72