

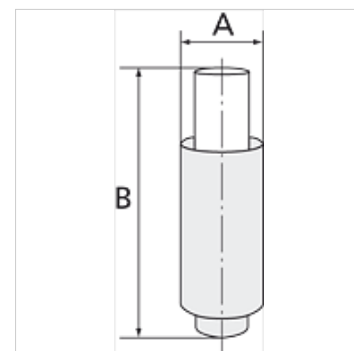
K-SCHALLDAE FRUEHWARNFUKT

Silencers with early warning function

HANSA FLEX

Caracteristici

Presiune de lucru	5 bar
Temperatura de lucru	Max. 70 °C
Standard	G thread acc. to DIN EN ISO 228-1
Material	PP



Indicație

Alte date sunt disponibile la cerere.

Descriere

The silencer's warning indicator gives an early warning if the back pressure in the system is too high. Maintenance personnel can both see and hear (from the elevated sound level) that it is time to replace the silencer before costly and unnecessary disruptions impair operation. The design is based on a two-chamber system with inner and outer silencing chambers. The inner diffuser serves as a warning indicator that is pressed out when back pressure is too high. The silencer should be replaced as soon as the inner diffuser extends far enough to show the red marking on the warning indicator.

Articol

Denumire	Filet	A (mm)	B (mm)	Debit (L/min)	Nivel de zgomot (dBA)	Reducerea zgomotului
K- 07 40 15 22	G 1/8 male	15,7	35,5	450	65,5	32 dB(A)
K- 07 40 15 23	G 1/4 male	19,6	42,6	883	66,5	33 dB(A)
K- 07 40 15 24	G 3/8 male	26,8	57,0	1480	73,2	30 dB(A)
K- 07 40 15 25	G 1/2 male	32,4	73,5	1910	76,5	33 dB(A)