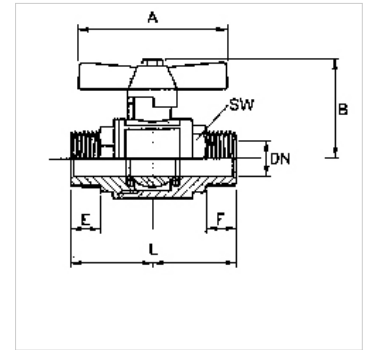
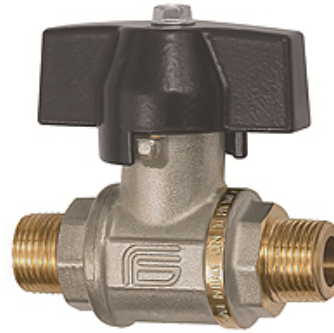


K-BKR DREHGRIF AG AG

Ball valves with wing lever, male/male thread

Caracteristici

Domeniul de utilizare	Compressed air, water, non-toxic and neutral gases, heating oil (EL),(S), lubricants, dieseloil, water beased coatings
Temperatura de lucru	-20 °C to +130 °C
Descriere filet	G thread acc. to DIN EN ISO 228-1, R thread acc. to DIN EN 10226 (ISO 7-1)
Carcasă	Nickel-plated brass
Manetă	Alu, painted black
Rulment	hardchrome-plated brass
Etanșare bilă	PTFE
Etanșare ax	PTFE



Indicație

Alte date sunt disponibile la cerere.

Articol

Denumire	DN	Filet	PN (bar)	A (mm)	B (mm)	E (mm)	F (mm)	L (mm)	SW (mm)
K- 07 30 20 22	8	R 1/4	100	45,0	43,0	11,0	11,0	54,5	18
K- 07 30 20 23	10	R 3/8	100	45,0	51,0	11,2	11,2	66,0	21
K- 07 30 20 24	15	R 1/2	100	55,0	54,5	14,9	14,9	82,0	27
K- 07 30 20 25	20	R 3/4	100	55,0	66,0	16,1	16,1	94,0	33
K- 07 30 20 26	25	R 1	100	70,0	70,0	19,0	19,0	107,0	40