

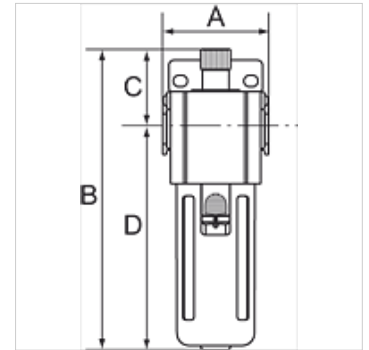
K-NEBELOELER PC-BEHÄLTER HW G-MINI

Oil-mist lubricators

HANSA FLEX

Caracteristici

Presiune de intrare	Max. 10 bar
Temperatură mediu	max. 70 °C
Temperatură ambientală	Max. 70 °C
Presiune de lucru	0.5 - 9 bar
Material de etanșare	NBR
Apărătoare de arc	POM
Carcasă	Die-cast aluminium
Cap ungător	Brass/POM
Măsurarea valorii debitului	At P1 = 8 bar, P2 = 6 bar and pressure drop $\Delta p = 1$ bar
Alte date	User manual on request



Articol

Denumire	Filet	Debit (L/min)	A (mm)	B (mm)	C (mm)	D (mm)	Dimensiunea constructivă
K- 07 25 08 75	G 1/8	1950	38,0	119,0 mm	39,0	80,0	200
K- 07 25 08 76	G 1/4	1950	38,0	119,0 mm	39,0	80,0	200

Accesorii

K-ERSATZBEHÄLTER G UND G-MINI POLY	Spare tanks »G« Series and »G-mini« Series Polycarbonat
K-HALTERBAUSATZ	Holder
K-VERBINDUNGSELEMENTE	Connecting sets
K-WANDHALTER	Wall bracket