

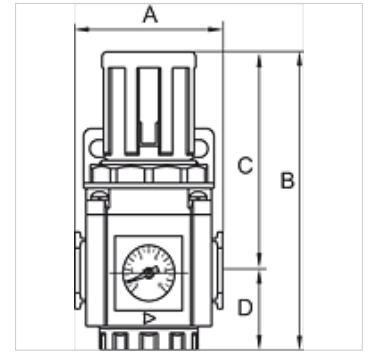
K-DRG MANO HW G

Pressure regulators

HANSA FLEX

Caracteristici

Presiune de intrare	Max. 10 bar
Temperatură mediu	max. 70 °C
Temperatură ambientală	Max. 70 °C
Domeniu de reglare	0,5 - 9 bar
Material de etanșare	NBR
Apărătoare de arc	POM
Carcasă	Die-cast aluminium
Măsurarea valorii debitului	At P1 = 8 bar, P2 = 6 bar and pressure drop $\Delta p = 1$ bar
Alte date	User manual on request



Articol

Denumire	Filet	Debit (L/min)	A (mm)	B	C (mm)	D (mm)	Dimensiunea constructivă
K- 07 25 05 12	G 1/4	1650	51,0	112,5 mm	83,5	29,0	300
K- 07 25 05 13	G 3/8	2500	51,0	112,5 mm	83,5	29,0	300
K- 07 25 05 14	G 1/2	2500	51,0	112,5 mm	83,5	29,0	300
K- 07 25 05 15	G 3/8	4000	68,0	140,5 mm	104,0	36,5	400
K- 07 25 05 16	G 1/2	4000	68,0	140,5 mm	104,0	36,5	400
K- 07 25 05 17	G 3/4	12000	85,0	191,5 mm	141,5	50,0	600
K- 07 25 05 18	G 1	12000	85,0	191,5 mm	141,5	50,0	600

Accesorii

K-VERSCHLEI-SATZ	Set of wearing parts
K-ERSATZMEMBRANE	Replacement diaphragm
K-ADAPTERPLATTEN HANSA	Adapter plate HANSA
K-HALTERBAUSATZ	Holder
K-VERBINDUNGSELEMENTE	Connecting sets
K-WANDHALTER	Wall bracket