

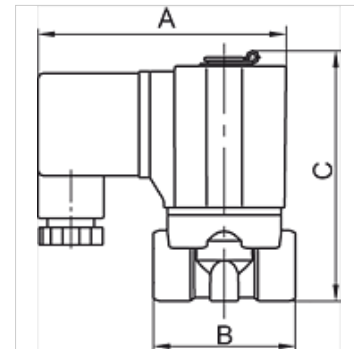
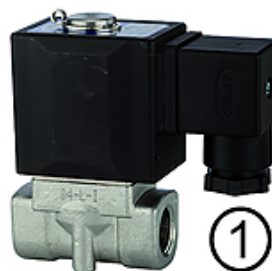
K-MV G (NC) D 230 V, 50 HZ H 1

Normally closed, (NC), directly operated, 230 V, 50 Hz, for high pressures

HANSA FLEX

Caracteristici

Conexiune electrică	device socket type A in acc. with ISO 4400 for all valves with threads G 3/8 & G 1/2, except valves type 3 & 4. Device socket
Descriere filet	G thread acc. DIN EN ISO 228-1
Temperatură mediu	max. 80 °C when using water or oils; max. 90 °C when using with air
Tip de protecție	IP 65
presiune max. de lucru	30 bar
Material de etanșare	FPM
Carcasă, scaun al supapei	Stainless steel 1.4301
Piese interioare	Stainless steel



Indicație

Alte date sunt disponibile la cerere.

Descriere

Standard series in two different versions: Directly operated, Pilot-operated

Articol

Denumire	Filet	NW	A (mm)	B (mm)	C (mm)	Forma constructivă
K- 07 30 01 16	G 1/8	1,5	70,0	40,0	70,7	1
K- 07 30 01 17	G 1/4	1,5	70,0	40,0	70,7	1
K- 07 30 01 18	G 3/8	3,0	85,0	52,0	87,0	1
K- 07 30 01 19	G 1/2	3,0	85,0	52,0	87,0	1