

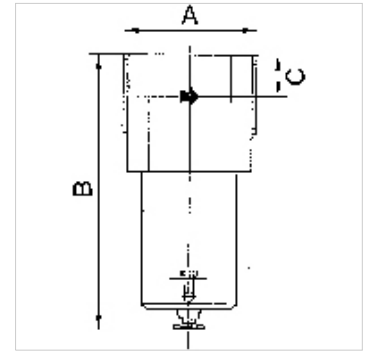
K-FI BIS 60BAR

Filters for high pressures up to 60 bar

HANSA FLEX

Caracteristici

Presiune de intrare	Max. 60 bar
Temperatura de lucru	0 °C to +90 °C
Mărimea porilor în elementul filtrant	40 µm
Material de etanşare	NBR
Recipient	Brass
Carcasă	Aluminium
Măsurarea valorii debitului	At P2 = 6 bar and pressure drop $\Delta p = 0,5$ bar



Indicație

Alte date sunt disponibile la cerere.

Descriere

Centrifugal separators with a sintered filter element.

Articol

Denumire	Filet	Debit (L/min)	A (mm)	B	C (mm)
K- 07 25 06 17	G 3/8	2660	73,0	187,0 mm	25,0
K- 07 25 06 18	G 1/2	2660	65,0	187,0 mm	25,0
K- 07 25 06 19	G 3/4	6000	92,0	196,0 mm	29,0
K- 07 25 06 20	G 1	6000	80,0	196,0 mm	29,0

Accesorii

K-HALTERBAUSATZ Holder

Piese de schimb

K-FILTERELEMENT Filter element