

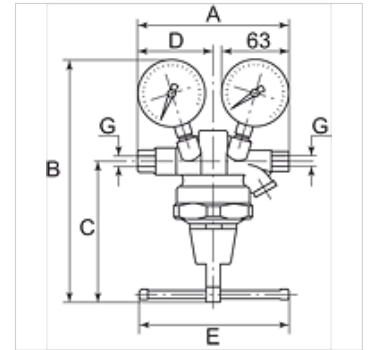
K-LEITUNGSDRUCKREGLER 200 BAR

Inline pressure regulators up to 200 bar

HANSA FLEX

Caracteristici

Presiune de lucru	max. 200 bar
Temperatura de lucru	-10 °C to +90 °C
Reglare	Knob (50 bar), Rotary switch (100 and 150 bar)
Material de etanșare	NBR
Material	Alamă



Indicație

Alte date sunt disponibile la cerere.

Descriere

Inline pressure regulator input pressure, suitable for compressed air, nitrogen and other neutral, compressed gases.

Articol

Denumire	Filet	Domeniu de reglare	Debit (L/min)	A (mm)	B	C (mm)	D (mm)	E (mm)
K- 07 25 08 27	G 1/4 female	1 - 50 bar	2500	162,0	188,5 mm	100,0	76,0	50,0
K- 07 25 08 28	G 1/4 female	1 - 100 bar	2700	162,0	213,5 mm	125,0	76,0	130,0
K- 07 25 08 29	G 1/4 female	1 - 150 bar	2900	162,0	213,5 mm	125,0	76,0	130,0