

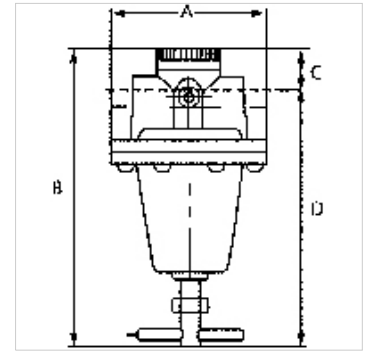
# K-HOCHDRUCKREGLER 60 BAR

High-pressure regulators up to 60 bar

**HANSA FLEX**

## Caracteristici

Utilizare	Compressed air and other neutral, non-flammable gases
Presiune de intrare	Max. 60 bar
Temperatura de lucru	-10 °C to +90 °C
Material de etanșare	NBR
Material	Alamă
Măsurarea valorii debitului	At P1 = 20 bar, P2 = 10 bar and pressure drop $\Delta p = 4$ bar



## Indicație

Alte date sunt disponibile la cerere.

## Descriere

Reversible piston-type pressure regulator, virtually independent of inlet pressure, with self-relieving design, manufactured entirely in brass. Specially designed for high pressures up to 60 bar. Pressure catch with counter nut.

## Articol

Denumire	Filet	Domeniu de reglare	Debit (L/min)	A (mm)	B	C (mm)	D (mm)
K- 07 25 08 19	G 3/8	0.5 - 12 bar	1400	72,0	164,0 mm	31,0	133,0
K- 07 25 08 20	G 3/8	1 - 20 bar	1400	72,0	164,0 mm	31,0	133,0
K- 07 25 08 21	G 3/8	2 - 35 bar	1400	72,0	164,0 mm	31,0	133,0
K- 07 25 08 22	G 3/8	2 - 50 bar	1400	72,0	164,0 mm	31,0	133,0
K- 07 25 08 23	G 1	0.5 - 12 bar	5000	118,0	257,0 mm	51,0	206,0
K- 07 25 08 24	G 1	1 - 20 bar	5000	118,0	257,0 mm	51,0	206,0
K- 07 25 08 25	G 1	2 - 35 bar	5000	118,0	257,0 mm	51,0	206,0
K- 07 25 08 26	G 1	3 - 50 bar	5000	118,0	257,0 mm	51,0	206,0

## Accesorii

K-HALTERBAUSATZ	Holder
K-SCHALTTAFELBEFESTIGUNG	Switchboard attachment

## Piese de schimb

K-DICHTKEGEL KOMPL	Cone seal complete
--------------------	--------------------