

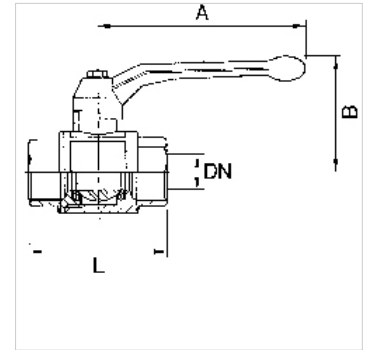
# K-BKR SCHW STAHLHEBEL IG AG

Ball valves with black steel lever, lightweight type, female/male thread

**HANSA FLEX**

## Caracteristici

<b>Domeniul de utilizare</b>	Compressed air, water, non-toxic and non-corrosive gases, heating systems, agriculture
<b>Presiune de lucru</b>	Max. 40 bar
<b>Temperatura de lucru</b>	-15 °C to +90 °C
<b>Descriere filet</b>	G thread acc. DIN EN ISO 228-1
<b>Carcasă</b>	Nickel-plated brass
<b>Manetă</b>	Steel, with plastic coating
<b>Rulment</b>	Chrome-plated brass
<b>Etanșare bilă</b>	PTFE
<b>Etanșare ax</b>	HNBR / EPDM / PTFE. 2 O-Rings (HNBR / EPDM) 1 gasket (PTFE) additional PTFE-gasket



## Indicație

Alte date sunt disponibile la cerere.

## Articol

Denumire	DN	Filet	A (mm)	B (mm)	L (mm)
K- 07 30 00 51	8	G 1/4	85,0	42,0	44,0
K- 07 30 00 55	10	G 3/8	85,0	42,0	51,0
K- 07 30 00 59	15	G 1/2	85,0	46,0	60,0
K- 07 30 00 63	20	G 3/4	105,0	53,0	70,0
K- 07 30 00 67	25	G 1	105,0	57,0	79,0
K- 07 30 00 71	32	G 1 1/4	130,0	70,0	91,0
K- 07 30 00 75	40	G 1 1/2	130,0	76,0	104,0
K- 07 30 00 79	50	G 2	165,0	92,0	122,0