

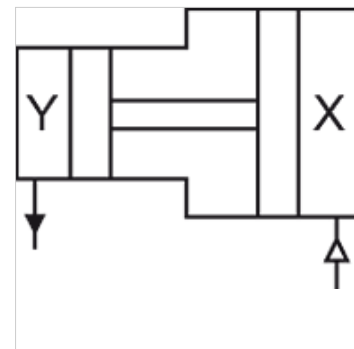
K-DVST OHNE REGLER

Pressure booster without regulator

HANSA FLEX

Caracteristici

Presiune de intrare	2 - 10 bar
Presiune de ieșire	Max. 20 bar (regulated: max. 16 bar)
Domeniu de temperaturi	-10 °C to +50 °C (40 mm bore), -10 °C to +60 °C (63 mm bore)
Medii	Filtered, unlubricated or lubricated compressed air (if lubrication is used, it must be continuous)
Material de etanșare	NBR
Regulator de presiune	With plastic body
Carcasă	Aluminium, anodised
Teavă	Anodised aluminium jacket
Montaj	Any position, with 4 mounting holes
P2:P1	2:1



Indicație

For information about calculating the filling times for different tank sizes, refer to the above-mentioned data sheet available on our website
Alte date sunt disponibile la cerere.

Descriere

Pressure multipliers (boosters) allow a separate compressed air store with up to double pressure to be installed for selected devices in a compressed air system without an external energy source, i.e. it is possible to work with a maximum pressure of 20 bar in a standard 10 bar system (maximum ratio 2:1). This is achieved using a double piston, which is operated by a combination of integrated check valves in such a way that the booster works automatically until the target pressure is reached in a compressed air tank and is then automatically switched off. A tank is always required to build up the pressure and store the compressed air!

Informații suplimentare

Fixing bracket with nut

Articol

Denumire	Racord	Ø piston (mm)	H (mm)	L (mm)
K- 07 25 08 64	G 1/8	40,0	64,0	194,0
K- 07 25 08 66	G 3/8	63,0	98,0	290,0

Accesorii

K-ZUBEH ERSATZ LUFT BOOSTER Accessories / spare parts for Air-air-multiplier (booster)