

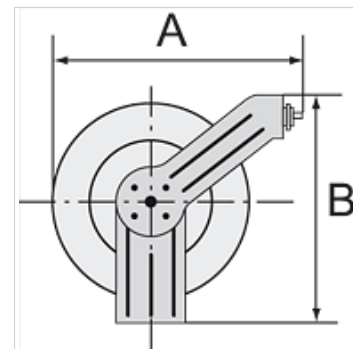
K-SCHL-AUFROLLER SCHWEISS

Hose reel, welding type

HANSA FLEX

Caracteristici

Furtunuri	Welding hose for oxygen and acetylene, red and blue, made from synthetic rubber.
Presiune de lucru	max. 10 bari
Fixare	Wall, floor or ceiling
Intrare	Oxygen G 1/4 male, right-hand thread with 60° inside cone, Acetylene G 3/8 male, left-hand thread with 60° inside cone



Indicație

Alte date sunt disponibile la cerere.

Descriere

Heavy-duty steel design for industrial applications. Blue, powder-coated housing. Special reel guide prevents excessive wear on the hose. An automatic latching mechanism allows the hose to be engaged at any length. Enclosed spring. Precise locking device for continuous feeding or latching mechanism.

Articol

Denumire	Dimensiune furtun	Înălțime (mm)	Diametru (mm)	Lungime furtun (m)
K- 07 10 06 28	Oxygen: 16.5 mm x 6 mm, Acetylene: 17 mm x 10 mm	360	320	15