

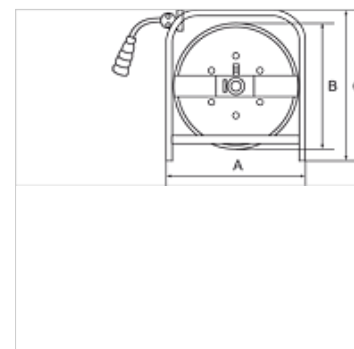
K-SCHL-AUFROLLER MOBIL

Hose reels for mobile applications

HANSA FLEX

Caracteristici

Material furtun	Polyurethane
Presiune de lucru	max. 10 bari
Temperatura de lucru	-10 °C to +40 °C
Intrare	Hose stem 8 mm
Filet de conectare	Coupling G 3/8



Indicație

Alte date sunt disponibile la cerere.

Descriere

Specially designed for mobile applications. This 50 m long polyurethane hose is mounted in a portable four-wheel cart made from blue anodised steel. An automatic latching mechanism allows the hose to be engaged at any length. Enclosed spring. Precise locking device for continuous feeding or latching mechanism. Reel guide prevents excessive wear on the hose.

Articol

Denumire	Dimensiune furtun	A (mm)	B (mm)	C (mm)	Lungime furtun (m)
K- 07 10 06 16	12 mm x 8 mm	452,0	400,0	460,0	50