

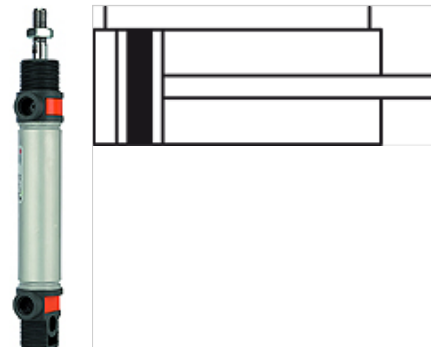
K-RUNDZYLINDER DOPP O E D

Round cylinders, double acting, magnetic, non-cushioned

HANSA FLEX

Caracteristici

Medii	Filtered (50 µm), unlubricated or lubricated compressed air. If lubrication is used, it must be continuous.
Presiune de lucru	Max. 10 bar
Presiune de acționare	0,6 bar
Domeniu de temperaturi	-10 °C to +60 °C
Construcție	Connection: Aluminium pipe / end caps flanged
Tija piston	Stainless steel 1.4301 (Ø 16), C45 steel, hard chrome-plated (Ø 20 and Ø 25)
Teavă	Aluminium alloy, anodised
Capac, podea, bucsă de ghidare	Technopolymer
Garnitură la tija pistonului	PU
Garnitură piston	PU



Indicație

Maximum recommended stroke: Ø 16 = stroke 200, Ø 20 and Ø 25 = stroke 500. Longer strokes can result in malfunctions.
Alte date sunt disponibile la cerere.

Descriere

Economy standard version with aluminum pipe and magnet piston.

Informații suplimentare

Important: The scope of supply does not include a connector. Please order separately.

Articol

Denumire	Ø piston	Cursa (mm)	Racord	Filet exterior la tijele pistoanelor
K- 07 15 17 62	16 mm	10	M 5	M 6
K- 07 15 17 63	16 mm	25	M 5	M 6
K- 07 15 17 64	16 mm	50	M 5	M 6
K- 07 15 17 65	16 mm	80	M 5	M 6
K- 07 15 17 66	16 mm	100	M 5	M 6
K- 07 15 17 67	16 mm	125	M 5	M 6
K- 07 15 17 68	16 mm	160	M 5	M 6
K- 07 15 17 69	16 mm	200	M 5	M 6
K- 07 15 17 70	20 mm	10	G 1/8	M 8
K- 07 15 17 71	20 mm	25	G 1/8	M 8
K- 07 15 17 72	20 mm	50	G 1/8	M 8
K- 07 15 17 73	20 mm	80	G 1/8	M 8
K- 07 15 17 74	20 mm	100	G 1/8	M 8
K- 07 15 17 75	20 mm	125	G 1/8	M 8
K- 07 15 17 76	20 mm	160	G 1/8	M 8
K- 07 15 17 77	20 mm	200	G 1/8	M 8
K- 07 15 17 78	20 mm	250	G 1/8	M 8
K- 07 15 17 79	20 mm	500	G 1/8	M 8
K- 07 15 17 80	25 mm	10	G 1/8	M 10 x 1.25
K- 07 15 17 81	25 mm	25	G 1/8	M 10 x 1.25
K- 07 15 17 82	25 mm	50	G 1/8	M 10 x 1.25
K- 07 15 17 83	25 mm	80	G 1/8	M 10 x 1.25
K- 07 15 17 84	25 mm	100	G 1/8	M 10 x 1.25
K- 07 15 17 85	25 mm	125	G 1/8	M 10 x 1.25
K- 07 15 17 86	25 mm	160	G 1/8	M 10 x 1.25
K- 07 15 17 87	25 mm	200	G 1/8	M 10 x 1.25
K- 07 15 17 88	25 mm	250	G 1/8	M 10 x 1.25
K- 07 15 17 89	25 mm	500	G 1/8	M 10 x 1.25

Accesorii

K-FUSSBEFESTIGUNG 5	Foot model
K-FLANSCHBEFESTIGUNGEN1	Flange model



În pofida controlului minuțios nu putem exclude eventualele informații eronate și nu garantăm pentru datele cuprinse.

05.06.2026

HANSA-FLEX AG

www.hansa-flex.com

1

K-RUNDZYLINDER DOPP O E D

Round cylinders, double acting, magnetic, non-cushioned

