

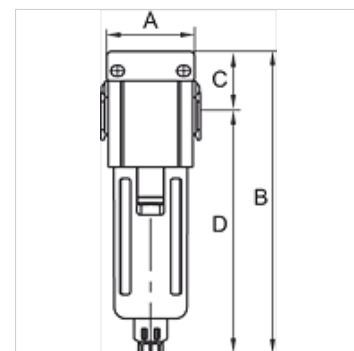
K-FI PC-BEHÄLTER HW G-MINI

Filters

HANSA FLEX

Caracteristici

Presiune de intrare	Max. 10 bar
Temperatură mediu	max. 70 °C
Temperatură ambientală	Max. 70 °C
Presiune de lucru	1.5 - 9 bar
Mărimea porilor în elementul filtrant	5 µm
Material de etanşare	NBR
Carcasă	Die-cast aluminium
Drain valve	Semi-automatic
Măsurarea valorii debitului	At P1 = 8 bar, P2 = 6 bar and pressure drop $\Delta p = 1$ bar
Alte date	User manual on request



Articol

Denumire	Filet	Debit (L/min)	A (mm)	B (mm)	C (mm)	D (mm)	Dimensiunea constructivă
K- 07 25 06 49	G 1/8	950	38,0	110,0 mm	17,0	93,0	200
K- 07 25 06 50	G 1/4	950	38,0	110,0 mm	17,0	93,0	200

Accesorii

K-ERSATZBEHÄLTER G UND G-MINI POLY	Spare tanks »G« Series and »G-mini« Series Polycarbonat
K-SCHUTZKORB G	Protective cage
K-FILTERELEMENT	Filter element
K-HALTERBAUSATZ	Holder
K-VERBINDUNGSELEMENTE	Connecting sets
K-WANDHALTER	Wall bracket