

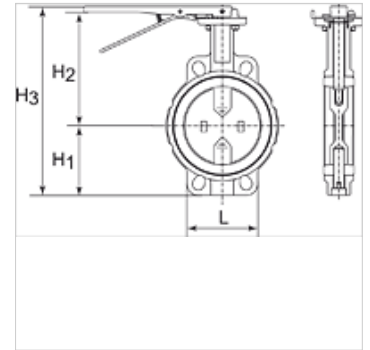
K-ZFL ABSP-KLAPPEN

Butterfly valves

HANSA FLEX

Caracteristici

Presiune de lucru	Max. 16 bar
Temperatura de lucru	-15 °C to +120 °C
Medii	Water / steam, salt water, salt water, ester, ketone, alkali, caustic soda, sodium hydroxide. Not recommended for hydrocarbons
Domeniu de temperaturi	-20 °C to +120 °C
Carcasă	Grey cast iron GG25 epoxy resin coated, RAL 5015
Garnitură de etanșare	EPDM
Arbore	SS416
Etanșare pe arbore	EPDM
Manetă	GG25 epoxy resin coated



Indicație

Alte date sunt disponibile la cerere.

Articol

Denumire	Șaibă	DN	B (mm)	H1 (mm)	H2 (mm)	H3 (mm)	L (mm)
K- 07 30 03 45	Stainless Steel CF8M/1.4404	40	38,0	68,0	94,0	198,0	94,0
K- 07 30 03 46	Stainless Steel CF8M/1.4404	50	47,0	71,0	143,0	236,0	100,0
K- 07 30 03 47	Stainless Steel CF8M/1.4404	65	49,0	78,0	155,0	255,0	115,0
K- 07 30 03 48	Stainless Steel CF8M/1.4404	80	47,0	89,0	162,0	273,0	127,0
K- 07 30 03 49	Stainless Steel CF8M/1.4404	100	56,0	102,0	178,0	302,0	163,0
K- 07 30 03 50	Stainless Steel CF8M/1.4404	125	59,0	123,0	191,0	336,0	190,0
K- 07 30 03 51	Stainless Steel CF8M/1.4404	150	59,0	138,0	205,0	365,0	216,0