

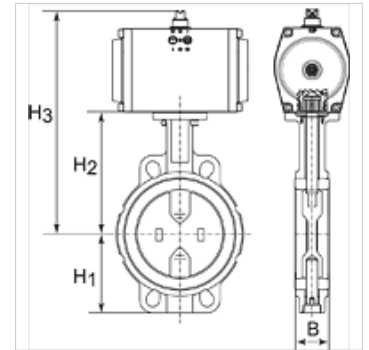
K-ZFL ABSP-KLAPPEN DOPPEL

Butterfly valves, with double-acting actuator, min. pilot pressure 5 bar

HANSA FLEX

Caracteristici

Tip constructiv	Pneumatic actuators, in double- or single acting version
Presiune de lucru	Max. 16 bar
Temperatura de lucru	-15 °C to +120 °C
Medii	Water / steam, salt water, salt water, ester, ketone, alkali, caustic soda, sodium hydroxide. Not recommended for hydrocarbons
Presiune de comandă	5.5 bar
Adaptor supapă	Supplied as standard, operated by a 3/2- or 5/2-way valve
Unghi de rotație	90 °
Antrenare	aluminium eloxed
Garnitură de antrenare	NBR
Carcasă	Grey cast iron GG25 epoxy resin coated, RAL 5015
Garnitură de etanșare	EPDM
Arbore	SS416
Etanșare pe arbore	EPDM
Comandă	



Indicație

Alte date sunt disponibile la cerere.

Articol

Denumire	Șaibă	DN	B (mm)	H1 (mm)	H2 (mm)	H3 (mm)	L (mm)
K- 07 30 03 28	Stainless Steel CF8M/1.4404	40	38,0	68,0	108,0	212,0	94,0
K- 07 30 03 29	Stainless Steel CF8M/1.4404	50	47,0	71,0	143,0	247,0	100,0
K- 07 30 03 30	Stainless Steel CF8M/1.4404	65	49,0	78,0	155,0	259,0	115,0
K- 07 30 03 31	Stainless Steel CF8M/1.4404	80	47,0	89,0	162,0	280,0	127,0
K- 07 30 03 32	Stainless Steel CF8M/1.4404	100	56,0	102,0	178,0	308,0	163,0
K- 07 30 03 33	Stainless Steel CF8M/1.4404	125	59,0	123,0	191,0	321,0	190,0
K- 07 30 03 35	Stainless Steel CF8M/1.4404	150	59,0	138,0	205,0	352,0	216,0