

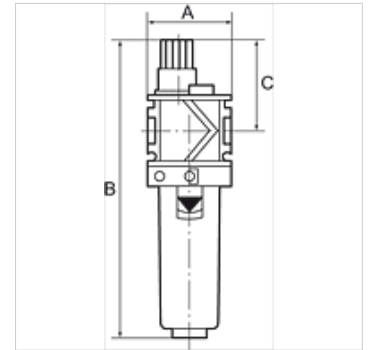
# K-NEBELOELER PC-BEHÄLTER S VARIOBL

Oil-mist lubricators with polycarbonate bowl and bowl guard

**HANSA FLEX**

## Caracteristici

|                                    |  |
|------------------------------------|--|
| <b>Presiune de intrare</b>         | Max. 16 bar (polycarbonate bowl), Max. 20 bar (metal bowl) |
| <b>Temperatură mediu</b>           | max. 50 °C   |
| <b>Temperatură ambientală</b>      | Max. 50 °C (polycarbonate bowl), Max. 80 °C (metal bowl)   |
| <b>Material de etanșare</b>        | NBR  |
| <b>Carcasă</b>                     | Die-cast zinc  |
| <b>Cap ungător</b>                 | PA   |
| <b>Sortiment de ulei</b>           | CL 32 acc. to DIN 51517 - ISO VG 32                        |
| <b>Măsurarea valorii debitului</b> | At P1 = 6 bar and pressure drop $\Delta p = 1$ bar         |



## Indicație

Alte date sunt disponibile la cerere.

## Descriere

Proportional lubricators, oil can be filled under pressure. Approved series in modern industrial design, with the following key benefits: Simple handling, Convenient modular assembly thanks to innovative fasteners, Excellent flow values.

## Indicații referitoare comandă

Oil-mist lubricators are also available with bowl guard or metal bowl.

## Articol

| Denumire       | Filet | Debit (L/min) | A (mm) | B        | C (mm) |
|----------------|-------|---------------|--------|----------|--------|
| K- 07 25 22 87 | G 1   | 7500          | 124,0  | 224,0 mm | 57,0   |
| K- 07 25 22 88 | G 3/4 | 7500          | 70,0   | 224,0 mm | 57,0   |
| K- 07 25 22 89 | G 1/2 | 4600          | 70,0   | 224,0 mm | 57,0   |
| K- 07 25 22 90 | G 3/8 | 4400          | 48,0   | 171,0 mm | 52,0   |
| K- 07 25 22 91 | G 1/4 | 3400          | 48,0   | 171,0 mm | 52,0   |