

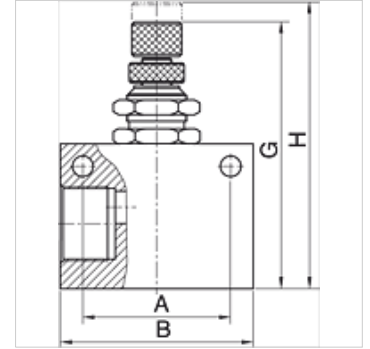
K-DRV 1

Unidirectional flow control valves

HANSA FLEX

Caracteristici

Presiune de lucru	max. 10 bari
Temperatura de lucru	Max. 70 °C
Material de etanșare	NBR
Carcasă	Aluminium
Piese interioare	Aluminium/Brass



Indicație

Alte date sunt disponibile la cerere.

Articol

Denumire	Filet	A (mm)	B (mm)	G (mm)	H (mm)
K- 07 30 12 32	G 1/8	22,0	32,0	46,90	52,3
K- 07 30 12 33	G 1/4	26,0	36,0	50,80	56,3
K- 07 30 12 34	G 3/8	35,0	50,0	65,00	74,0
K- 07 30 12 35	G 1/2	35,0	50,0	65,00	74,0