

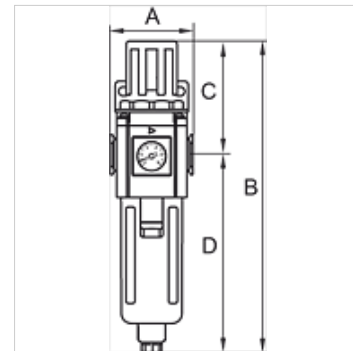
# K-FI REGL METALLBEHAE V HW G

Filter regulators with metal bowl, sight glass and »HW« mounting bracket, fully-automatic drain valve

**HANSA FLEX**

## Caracteristici

Presiune de intrare	Max. 10 bar
Temperatură mediu	max. 70 °C
Temperatură ambientală	Max. 70 °C
Mărimea porilor în elementul filtrant	5 µm
Material de etanşare	NBR
Apărătoare de arc	POM
Carcasă	Die-cast aluminium
Drain valve	Semi- or fully-automatic
Măsurarea valorii debitului	At P1 = 8 bar, P2 = 6 bar and pressure drop $\Delta p = 1$ bar
Alte date	User manual on request



## Articol

Denumire	Filet	Domeniu de reglare	Debit (L/min)	A (mm)	B	C (mm)	D (mm)	Dimensiunea constructivă
K- 07 25 07 06	G 3/4	1.5 - 9 bar	7000	85,0	363,0 mm	144,0	219,0	600
K- 07 25 07 08	G 1	1.5 - 9 bar	7000	85,0	363,0 mm	144,0	219,0	600

## Accesorii

K-VERSCHLEI-SATZ	Set of wearing parts
K-ERSATZMEMBRANE	Replacement diaphragm
K-ADAPTERPLATTEN HANSA	Adapter plate HANSA
K-ERSATZBEHAELTER G UND G-MINI POLY	Spare tanks »G« Series and »G-minik« Series Polycarbonat
K-FILTERELEMENT	Filter element
K-HALTERBAUSATZ	Holder
K-VERBINDUNGELEMENTE	Connecting sets
K-WANDHALTER	Wall bracket