

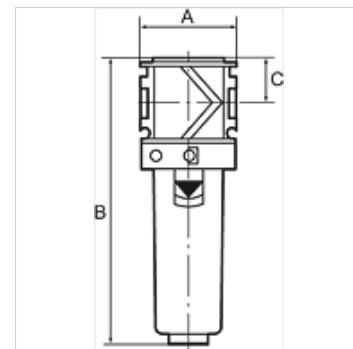
K-FI AK KOH PC-BEHAEL VARIOBLOC

Activated carbon filters with polycarbonate bowl

HANSA FLEX

Caracteristici

| | |
|-----------------------------|--|
| Presiune de intrare | Max. 16 bar (polycarbonate bowl), Max. 20 bar (metal bowl) |
| Temperatură mediu | max. 50 °C |
| Temperatură ambientală | Max. 50 °C (polycarbonate bowl), Max. 80 °C (metal bowl) |
| Calitatea aerului ISO 85731 | Class 1 dirt, class 1 oil |
| Conținut de ulei rezidual | 0,003 mg/m ³ |
| Măsurarea valorii debitului | At P1 = 7 bar and pressure drop $\Delta p = 0,1$ bar |



Indicație

Activated carbon filters are also supplied with protective cage or metal container.

Alte date sunt disponibile la cerere.

Descriere

The activated carbon filter absorbs oil vapour from the compressed air. The entering compressed air needs to be dry and free of contaminants (an upstream microfilter is strongly recommended).

Articol

| Denumire | Filet | Debit (L/min) | A (mm) | B | C (mm) |
|----------------|-------|------------------|-----------|----------|-----------|
| K- 07 25 19 59 | G 1/4 | 800 | 48,0 | 142,0 mm | 22,0 |
| K- 07 25 19 60 | G 3/8 | 1000 | 48,0 | 142,0 mm | 22,0 |
| K- 07 25 19 61 | G 1/2 | 1200 | 70,0 | 193,0 mm | 26,0 |
| K- 07 25 19 62 | G 3/4 | 1300 | 70,0 | 193,0 mm | 26,0 |
| K- 07 25 19 63 | G 1 | 1300 | 124,0 | 193,0 mm | 26,0 |