

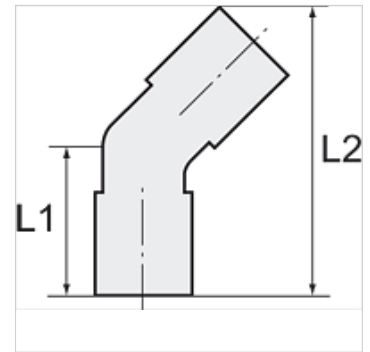
K-STECKVERSCHR 45° DRE AG OR

45° union elbows, swivel type, parallel male thread with O-ring

HANSA FLEX

Caracteristici

| | |
|------------------------|--|
| Presiune de lucru | Max. 15 bar, coarse vacuum |
| Domeniul de utilizare | Air, vacuum |
| furtunuri recomandate | PU or PA (nylon) |
| Medii | Compressed air and all gases or liquids that are compatible with the materials |
| Domeniu de temperaturi | -20 °C to +80 °C |
| Suprafață de etanșare | Parallel version: O-ring in housing |
| Material | Plastic, Nickel plated brass |
| Inel de presiune | Plastic |



Indicație

Alte date sunt disponibile la cerere.

Descriere

Push-in fittings series manufactured in plastic and nickel-plated brass. All parts are suitable for use with hoses, tubes or pipes made of plastic and copper.

Articol

| Denumire | Filet | pentru Ø exterior furtun | L1 (mm) | L2 (mm) | Deschiderea cheii fixe |
|----------------|-------|--------------------------|------------|------------|------------------------|
| K- 07 40 05 47 | M 5 | 4 mm | 20,2 | 34,7 | 10 mm |
| K- 07 40 05 48 | M 5 | 6 mm | 21,9 | 36,1 | 12 mm |
| K- 07 40 05 59 | G 1/8 | 4 mm | 23,2 | 39,0 | 12 mm |
| K- 07 40 05 60 | G 1/8 | 6 mm | 24,4 | 42,0 | 14 mm |
| K- 07 40 05 61 | G 1/8 | 8 mm | 27,1 | 47,5 | 14 mm |
| K- 07 40 05 58 | G 1/8 | 10 mm | 29,7 | 53,1 | 17 mm |
| K- 07 40 05 55 | G 1/4 | 4 mm | 24,7 | 40,5 | 12 mm |
| K- 07 40 05 56 | G 1/4 | 6 mm | 25,9 | 43,5 | 14 mm |
| K- 07 40 05 57 | G 1/4 | 8 mm | 28,6 | 49,0 | 17 mm |
| K- 07 40 05 53 | G 1/4 | 10 mm | 30,7 | 54,1 | 17 mm |
| K- 07 40 05 54 | G 1/4 | 12 mm | 32,8 | 60,4 | 21 mm |
| K- 07 40 05 64 | G 3/8 | 6 mm | 26,2 | 45,0 | 14 mm |
| K- 07 40 05 65 | G 3/8 | 8 mm | 30,1 | 50,5 | 20 mm |
| K- 07 40 05 62 | G 3/8 | 10 mm | 32,2 | 55,6 | 20 mm |
| K- 07 40 05 63 | G 3/8 | 12 mm | 33,8 | 61,4 | 21 mm |
| K- 07 40 05 51 | G 1/2 | 6 mm | 30,9 | 48,5 | 14 mm |
| K- 07 40 05 52 | G 1/2 | 8 mm | 33,6 | 54,0 | 24 mm |
| K- 07 40 05 49 | G 1/2 | 10 mm | 35,7 | 59,1 | 19 mm |
| K- 07 40 05 50 | G 1/2 | 12 mm | 37,3 | 64,9 | 24 mm |