

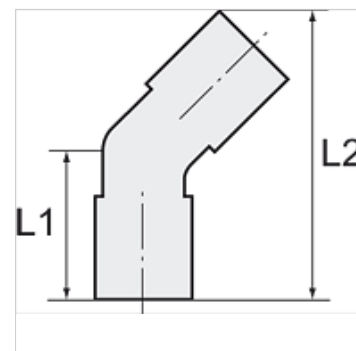
# K-STECKNIPPEL 45°

45° elbow connectors with push-in plug

**HANSA FLEX**

## Caracteristici

Presiune de lucru	Max. 15 bar, coarse vacuum
Domeniul de utilizare	Air, vacuum
furtunuri recomandate	PU or PA (nylon)
Medii	Compressed air and all gases or liquids that are compatible with the materials
Domeniu de temperaturi	-20 °C to +80 °C
Material	Plastic, Nickel plated brass
Inel de presiune	Plastic



## Indicație

Alte date sunt disponibile la cerere.

## Descriere

Push-in fittings series manufactured in plastic and nickel-plated brass. All parts are suitable for use with hoses, tubes or pipes made of plastic and copper.

## Articol

Denumire	pentru Ø exterior furtun	L1 (mm)	L2 (mm)	Niplu coaxial (mm)
K- 07 40 04 88	4 mm	16,2	46,7	4
K- 07 40 04 89	6 mm	17,4	51,2	6
K- 07 40 04 90	8 mm	20,5	60,0	8
K- 07 40 04 91	10 mm	23,1	68,8	10
K- 07 40 04 92	12 mm	26,0	76,1	12