

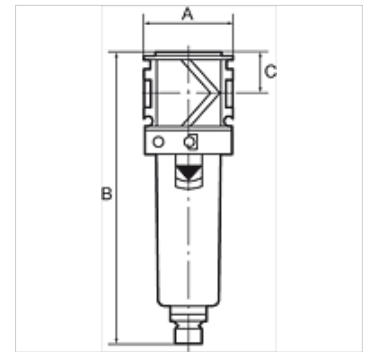
# K-FI MIKRO PC-BEHAEL SCHU VARIOBLOC

Micro-filters with polycarbonate bowl and bowl guard

**HANSA FLEX**

## Caracteristici

<b>Presiune de intrare</b>	Max. 16 bar (polycarbonate bowl), Max. 20 bar (metal bowl)
<b>Temperatură mediu</b>	max. 50 °C
<b>Temperatură ambientală</b>	Max. 50 °C (polycarbonate bowl), Max. 80 °C (metal bowl)
<b>Finețea filtrului</b>	0,01 μm
<b>Calitatea aerului ISO 85731</b>	Class 1 dirt, class 1 oil
<b>Randament</b>	99.999 %
<b>Măsurarea valorii debitului</b>	At P1 = 7 bar and pressure drop Δp = 0,1 bar



## Indicație

Alte date sunt disponibile la cerere.

## Descriere

Borosilicate filter for all applications where compliance with strict compressed air purity requirements is vital. As the second stage downstream of the standard filter, the micro-filter removes 99.999 % of even the finest remaining particles from water, oil and dirt with practically zero residues (filter rating: 0.01 μm).

## Indicații referitoare comandă

Micro-filters are also available with bowl guard or metal bowl.

## Articol

Denumire	Filet	Debit (L/min)	A (mm)	B	C (mm)
K- 07 25 22 96	G 1/4	370	48,0	155,0 mm	22,0
K- 07 25 22 95	G 3/8	420	48,0	155,0 mm	22,0
K- 07 25 22 94	G 1/2	1000	70,0	202,0 mm	26,0
K- 07 25 22 93	G 3/4	1100	70,0	202,0 mm	26,0
K- 07 25 22 92	G 1	1100	124,0	202,0 mm	26,0