

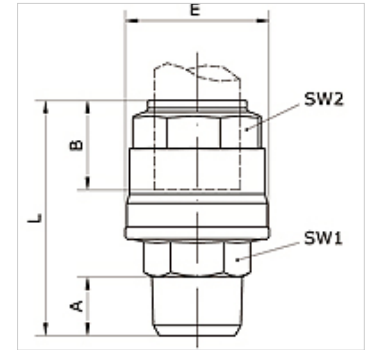
K-G-STECK VB 20-63 AG INFI

Straight push-in connector Ø 20 mm – Ø 63 mm with external thread

HANSA FLEX

Caracteristici

Medii	Compressed air, vacuum, inert gases
Presiune de lucru	-0,99 bar - 15 bar
Domeniu de temperaturi	-20 °C to +80 °C
Garnitură de etanșare	NBR
Carcasă	Aluminium
Inel de fixare	Stainless steel 1.4301
Piuliță	Aluminium
Inel O	NBR
Inele de siguranță	Technopolymer



Articol

Denumire	Ø exterior țevă	Racord	A (mm)	B (mm)	E (mm)	L (mm)	Deschiderea cheii 1 (mm)	Deschiderea cheii 2 (mm)
K- 07 40 54 95	63 mm	R 2	24,0	57,5	94,0	109,5	65	75
K- 07 40 54 96	63 mm	R 2 1/2	24,0	57,5	94,0	106,5	75	75