

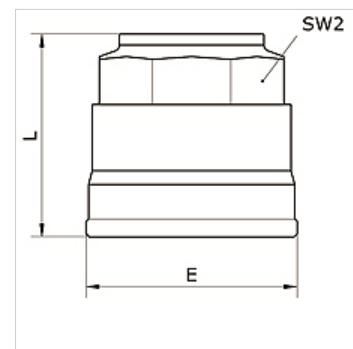
K-STECK VS 20-50 INFI

press-lock Ø 20 mm – Ø 63 mm

HANSA FLEX

Caracteristici

Medii	Compressed air, vacuum, inert gases
Presiune de lucru	-0,99 bar - 15 bar
Domeniu de temperaturi	-20 °C to +80 °C
Garnitură de etanșare	NBR
Carcasă	Nickel-plated brass
Inel de fixare	Stainless steel 1.4301
Piuliță	Nickel-plated brass
Inel O	NBR
Inele de siguranță	Technopolymer



Articol

Denumire	Ø exterior țeavă	E (mm)	L (mm)	Deschiderea cheii 2 (mm)
K- 07 40 54 20	20 mm	34,5	33,0	30
K- 07 40 54 21	25 mm	42,5	39,0	35
K- 07 40 54 22	32 mm	52,0	46,5	45
K- 07 40 54 23	40 mm	63,0	53,0	55
K- 07 40 54 24	50 mm	73,0	62,0	65
K- 07 40 55 04	63 mm	94,0	54,0	75