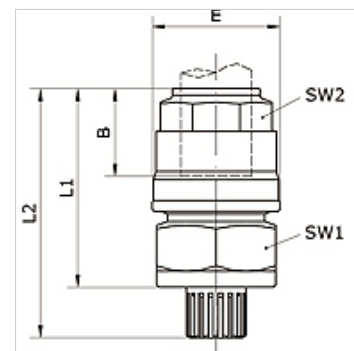


# K-STECK VS ABLASS 20-63 INFI

press-lock Ø 20 mm – Ø 63 mm with condensate drain

## Caracteristici

Medii	Compressed air, vacuum, inert gases
Presiune de lucru	-0,99 bar - 15 bar
Domeniu de temperaturi	-20 °C to +80 °C
Garnitură de etanșare	NBR
Carcasă	Nickel-plated brass
Inel de fixare	Stainless steel 1.4301
Piuliță	Nickel-plated brass
Inel O	NBR
Inele de siguranță	Technopolymer



## Articol

Denumire	Ø exterior țevă	B (mm)	E (mm)	L1 (mm)	L2 (mm)	Deschiderea cheii 1 (mm)	Deschiderea cheii 2 (mm)
K- 07 40 53 86	20 mm	36,0	34,5	52,5	67,0	32	30
K- 07 40 53 87	25 mm	38,5	42,5	57,5	72,0	32	35
K- 07 40 53 88	32 mm	46,0	52,0	67,5	82,0	38	45
K- 07 40 53 89	40 mm	52,0	63,0	77,0	91,5	50	55
K- 07 40 53 90	50 mm	63,5	73,0	86,5	101,0	55	65