

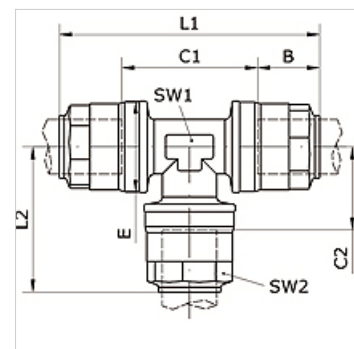
K-T STECK VB 20-63 INFI

T-push-in connector Ø 20 mm – Ø 63 mm

HANSA FLEX

Caracteristici

Medii	Compressed air, vacuum, inert gases
Presiune de lucru	-0,99 bar - 15 bar
Domeniu de temperaturi	-20 °C to +80 °C
Garnitură de etanșare	NBR
Carcasă	Nickel-plated brass
Inel de fixare	Stainless steel 1.4301
Piuliță	Nickel-plated brass
Inel O	NBR
Inele de siguranță	Technopolymer



Articol

Denumire	Ø exterior țevă	B (mm)	C1 (mm)	C2 (mm)	E (mm)	L1 (mm)	L2 (mm)	Deschiderea cheii 1 (mm)	Deschiderea cheii 2 (mm)
K- 07 40 53 80	20 mm	31,5	34,5	22,5	34,5	98,0	54,5	21	30
K- 07 40 53 81	25 mm	38,5	37,5	26,0	42,5	113,5	65,0	26	35
K- 07 40 53 82	32 mm	46,0	46,5	31,5	52,0	138,5	77,0	34	45
K- 07 40 53 83	40 mm	52,0	55,5	38,0	63,0	159,5	90,0	41	55
K- 07 40 53 84	50 mm	63,5	69,0	44,5	73,0	196,0	108,0	50	65
K- 07 40 55 00	63 mm	57,5	111,0	55,5	94,0	226,0	113,0	73	75