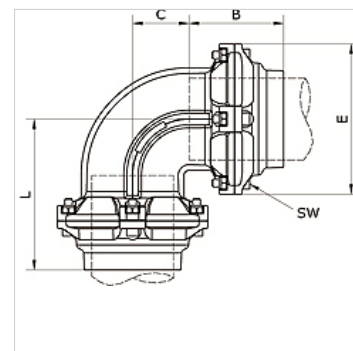


K-W90 STECK VB 80-100 INFI

90°-elbow push-in connector Ø 80 mm/Ø 110 mm

Caracteristici

Medii	Compressed air, vacuum, inert gases
Presiune de lucru	-0,99 bar - 15 bar
Domeniu de temperaturi	-20 °C to +80 °C
Inel de ghidare	Technopolymer
Carcasă	Aluminium, treated surface
Inel de fixare	Stainless steel 1.4301
Piuliță	Aluminium, surface treated
Inel O	NBR
Piuliță autoasigurantă	Galvanised steel
Inele de siguranță	Technopolymer



Articol

Denumire	Ø exterior țevă	B (mm)	C (mm)	E (mm)	L (mm)	SW (mm)
K- 07 40 55 15	80 - 80 mm	91,0	54,5	145,0	146,0	6
K- 07 40 54 66	110 - 110 mm	125,5	75,0	200,0	200,5	8