

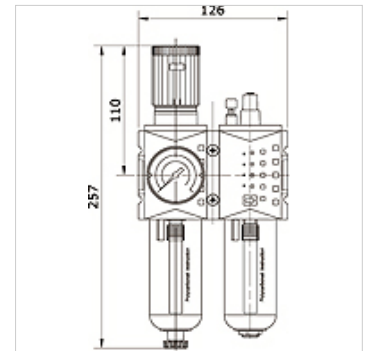
# K-WTEH 2-TEILIG HANSA PRO

2-part service unit, with manual/semi-automatic condensate drain and pressure gauge, HANSA PRO

**HANSA FLEX**

## Caracteristici

<b>Presiune de ieșire</b>	Pa 0,5 - 8 bar (Standart) Pa 0,1 - 1 bar Pa 0,1 - 2 bar Pa 0,2 - 4 bar Pa 0,5 - 10 bar Pa 0,5 - 16 bar
<b>Temperatură mediu</b>	-10 °C to +50 °C
<b>Temperatură ambientală</b>	-10 °C to +50 °C
<b>Medii</b>	Aer comprimat
<b>Tip constructiv</b>	Diaphragm pressure regulator with relieving, centrifugal filter, mist lubricator
<b>Tip de fixare</b>	Line mounting, panel mounting, mounting kit or wall mounting
<b>Aționare / siguranță</b>	lockable handwheel
<b>Poziție de montare</b>	Vertical, drain down
<b>Finețea filtrului</b>	5,00 μm
<b>Racord pentru manometru</b>	G 1/4 i
<b>Cantitate max. de condens</b>	49 cc
<b>Cantitate max. de umplere cu ulei</b>	80 cc
<b>Debit nominal G 1/2</b>	3.500 l/min (P1 = 10 bar, P2 = 6,3 bar/ Delta P = 1 bar)
<b>Debit nominal G 3/8</b>	3.500 l/min (P1 = 10 bar, P2 = 6,3 bar/ Delta P = 1 bar)
<b>Dozare ulei la qv=1000 l/min</b>	1-2 drops / min (guideline)
<b>PE max 12</b>	16 bar
<b>Element filtrant</b>	Cellpor
<b>Carcasă</b>	PA66
<b>Membrane, garnituri</b>	Ms/NBR/PA6
<b>Cap ungător</b>	Polycarbonate
<b>Sortiment de ulei</b>	CL 32 acc. to DIN 51517 - ISO VG 32



## Articol

Denumire	Racord	Domeniu de reglare	Domenii de afișare	Recipient	Dimensiunea constructivă	Scurgere pentru condens
K- 07 25 21 88	G 3/8 i	0.1 - 1 bar	0 - 1,6 bar	polycarbonate with protective cage	2	manual / semi-automatic
K- 07 25 21 89	G 3/8 i	0.1 - 2 bar	0 - 2,5 bar	polycarbonate with protective cage	2	manual / semi-automatic
K- 07 25 21 90	G 3/8 i	0.2 - 4 bar	0 - 6 bar	polycarbonate with protective cage	2	manual / semi-automatic
K- 07 25 21 91	G 3/8 i	0.5 - 8 bar	0 - 10 bar	polycarbonate with protective cage	2	manual / semi-automatic
K- 07 25 21 92	G 3/8 i	0.5 - 10 bar	0 - 16 bar	polycarbonate with protective cage	2	manual / semi-automatic
K- 07 25 21 93	G 3/8 i	0.5 - 16 bar	0 - 25 bar	polycarbonate with protective cage	2	manual / semi-automatic
K- 07 25 21 94	G 1/2 i	0.1 - 1 bar	0 - 1,6 bar	polycarbonate with protective cage	2	manual / semi-automatic
K- 07 25 21 95	G 1/2 i	0.1 - 2 bar	0 - 2,5 bar	polycarbonate with protective cage	2	manual / semi-automatic
K- 07 25 21 96	G 1/2 i	0.2 - 4 bar	0 - 6 bar	polycarbonate with protective cage	2	manual / semi-automatic
K- 07 25 21 97	G 1/2 i	0.5 - 8 bar	0 - 10 bar	polycarbonate with protective cage	2	manual / semi-automatic
K- 07 25 21 98	G 1/2 i	0.5 - 10 bar	0 - 16 bar	polycarbonate with protective cage	2	manual / semi-automatic
K- 07 25 21 99	G 1/2 i	0.5 - 16 bar	0 - 25 bar	polycarbonate with protective cage	2	manual / semi-automatic
K- 07 25 22 00	G 3/8 i	0.1 - 1 bar	0 - 1,6 bar	zinc with visual display	2	manual / semi-automatic
K- 07 25 22 01	G 3/8 i	0.1 - 2 bar	0 - 2,5 bar	zinc with visual display	2	manual / semi-automatic
K- 07 25 22 02	G 3/8 i	0.2 - 4 bar	0 - 6 bar	zinc with visual display	2	manual / semi-automatic
K- 07 25 22 03	G 3/8 i	0.5 - 8 bar	0 - 10 bar	zinc with visual display	2	manual / semi-automatic
K- 07 25 22 04	G 3/8 i	0.5 - 10 bar	0 - 16 bar	zinc with visual display	2	manual / semi-automatic
K- 07 25 22 05	G 3/8 i	0.5 - 16 bar	0 - 25 bar	zinc with visual display	2	manual / semi-automatic
K- 07 25 22 06	G 1/2 i	0.1 - 1 bar	0 - 1,6 bar	zinc with visual display	2	manual / semi-automatic
K- 07 25 22 07	G 1/2 i	0.1 - 2 bar	0 - 2,5 bar	zinc with visual display	2	manual / semi-automatic
K- 07 25 22 08	G 1/2 i	0.2 - 4 bar	0 - 6 bar	zinc with visual display	2	manual / semi-automatic
K- 07 25 22 09	G 1/2 i	0.5 - 8 bar	0 - 10 bar	zinc with visual display	2	manual / semi-automatic
K- 07 25 22 10	G 1/2 i	0.5 - 10 bar	0 - 16 bar	zinc with visual display	2	manual / semi-automatic
K- 07 25 22 11	G 1/2 i	0.5 - 16 bar	0 - 25 bar	zinc with visual display	2	manual / semi-automatic