

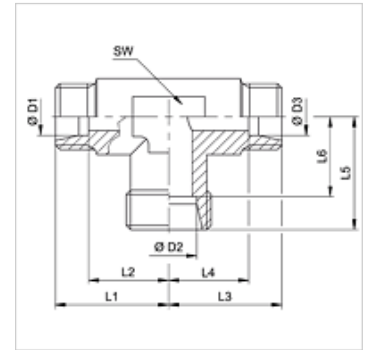
# XRT VA

Редукционное резьбовое соединение, Т-образное

**HANSA FLEX**

## Свойства

|                        |   |
|------------------------|---|
| Соединение 1 - 3       | Метрическая наружная резьба, цилиндрическая   |
| Форма уплотнения 1 - 3 | Внутренний конус 24°                          |
| Модель                 | Редукционное резьбовое соединение             |
| Конструкция            | Т-образная форма                              |
| Норма                  | ISO 8434-1                                    |
| Комплект поставки      | Штуцер (без накидной гайки и режущего кольца) |
| Материал               | нержавеющая сталь                             |



## Указание

Указания по монтажу, установке, нагрузке давлением и допустимым рабочим температурам представлены в технической информации для резьбовых трубных соединений.

## Изделие

| Наименование          | Серия | Рабочее давление, бар | D1 (mm) | D2 (mm) | D3 (mm) | L1 (mm) | L2 (mm) | L3 (mm) | L4 (mm) | L5 (mm) | L6 (mm) | SW (mm) |
|-----------------------|-------|-----------------------|---------|---------|---------|---------|---------|---------|---------|---------|---------|---------|
| XRT NW 04 06 04 HL VA | L     | PN 400                | 6       | 8       | 6       | 21,0    | 14,0    | 21,0    | 14,0    | 21,0    | 14,0    | 14      |
| XRT NW 04 08 04 HL VA | L     | PN 400                | 6       | 10      | 6       | 22,0    | 15,0    | 22,0    | 15,0    | 22,0    | 15,0    | 14      |
| XRT NW 06 04 06 HL VA | L     | PN 400                | 8       | 6       | 8       | 21,0    | 14,0    | 21,0    | 14,0    | 21,0    | 14,0    | 14      |
| XRT NW 06 08 06 HL VA | L     | PN 400                | 8       | 10      | 8       | 22,0    | 15,0    | 22,0    | 15,0    | 22,0    | 15,0    | 14      |
| XRT NW 06 10 06 HL VA | L     | PN 400                | 8       | 12      | 8       | 24,0    | 17,0    | 24,0    | 17,0    | 24,0    | 17,0    | 17      |
| XRT NW 08 04 08 HL VA | L     | PN 400                | 10      | 6       | 10      | 22,0    | 15,0    | 22,0    | 15,0    | 22,0    | 15,0    | 14      |
| XRT NW 08 06 08 HL VA | L     | PN 400                | 10      | 8       | 10      | 22,0    | 15,0    | 22,0    | 15,0    | 22,0    | 15,0    | 14      |
| XRT NW 08 08 04 HL VA | L     | PN 400                | 10      | 10      | 6       | 22,0    | 15,0    | 22,0    | 15,0    | 22,0    | 15,0    | 14      |
| XRT NW 08 10 08 HL VA | L     | PN 400                | 10      | 12      | 10      | 24,0    | 17,0    | 24,0    | 17,0    | 24,0    | 17,0    | 19      |
| XRT NW 08 13 08 HL VA | L     | PN 400                | 10      | 15      | 10      | 28,0    | 21,0    | 28,0    | 21,0    | 28,0    | 21,0    | 19      |
| XRT NW 10 04 10 HL VA | L     | PN 400                | 12      | 6       | 12      | 24,0    | 17,0    | 24,0    | 17,0    | 24,0    | 17,0    | 17      |
| XRT NW 10 06 06 HL VA | L     | PN 400                | 12      | 8       | 8       | 24,0    | 17,0    | 24,0    | 17,0    | 24,0    | 17,0    | 17      |
| XRT NW 10 06 10 HL VA | L     | PN 400                | 12      | 8       | 12      | 24,0    | 17,0    | 24,0    | 17,0    | 24,0    | 17,0    | 17      |
| XRT NW 10 08 08 HL VA | L     | PN 400                | 12      | 10      | 10      | 24,0    | 17,0    | 24,0    | 17,0    | 24,0    | 17,0    | 17      |
| XRT NW 10 08 10 HL VA | L     | PN 400                | 12      | 10      | 12      | 24,0    | 17,0    | 24,0    | 17,0    | 24,0    | 17,0    | 17      |
| XRT NW 10 10 08 HL VA | L     | PN 400                | 12      | 12      | 10      | 24,0    | 17,0    | 24,0    | 17,0    | 24,0    | 17,0    | 17      |
| XRT NW 10 13 10 HL VA | L     | PN 400                | 12      | 15      | 12      | 28,0    | 21,0    | 28,0    | 21,0    | 28,0    | 21,0    | 19      |
| XRT NW 10 16 10 HL VA | L     | PN 315                | 12      | 18      | 12      | 31,0    | 24,0    | 31,0    | 24,0    | 31,0    | 23,5    | 24      |
| XRT NW 13 04 13 HL VA | L     | PN 400                | 15      | 6       | 15      | 28,0    | 21,0    | 28,0    | 21,0    | 28,0    | 21,0    | 19      |
| XRT NW 13 06 13 HL VA | L     | PN 400                | 15      | 8       | 15      | 28,0    | 21,0    | 28,0    | 21,0    | 28,0    | 21,0    | 19      |
| XRT NW 13 08 13 HL VA | L     | PN 400                | 15      | 10      | 15      | 28,0    | 21,0    | 28,0    | 21,0    | 28,0    | 21,0    | 19      |
| XRT NW 13 10 10 HL VA | L     | PN 400                | 15      | 12      | 12      | 28,0    | 21,0    | 28,0    | 21,0    | 28,0    | 21,0    | 19      |
| XRT NW 13 10 13 HL VA | L     | PN 400                | 15      | 12      | 15      | 28,0    | 21,0    | 28,0    | 21,0    | 28,0    | 21,0    | 19      |
| XRT NW 13 13 10 HL VA | L     | PN 400                | 15      | 15      | 12      | 28,0    | 21,0    | 28,0    | 21,0    | 28,0    | 21,0    | 19      |
| XRT NW 16 06 16 HL VA | L     | PN 315                | 18      | 8       | 18      | 31,0    | 23,5    | 31,0    | 23,5    | 31,0    | 24,0    | 24      |
| XRT NW 16 08 08 HL VA | L     | PN 315                | 18      | 10      | 10      | 31,0    | 23,5    | 31,0    | 24,0    | 31,0    | 24,0    | 24      |
| XRT NW 16 08 16 HL VA | L     | PN 315                | 18      | 10      | 18      | 31,0    | 23,5    | 31,0    | 23,5    | 31,0    | 24,0    | 24      |
| XRT NW 16 10 16 HL VA | L     | PN 315                | 18      | 12      | 18      | 31,0    | 23,5    | 31,0    | 23,5    | 31,0    | 24,0    | 24      |
| XRT NW 16 13 16 HL VA | L     | PN 315                | 18      | 15      | 18      | 31,0    | 23,5    | 31,0    | 23,5    | 31,0    | 24,0    | 24      |
| XRT NW 16 16 08 HL VA | L     | PN 315                | 18      | 18      | 10      | 31,0    | 23,5    | 31,0    | 24,0    | 31,0    | 23,5    | 24      |
| XRT NW 20 08 20 HL VA | L     | PN 315                | 22      | 10      | 22      | 35,0    | 27,5    | 35,0    | 27,5    | 35,0    | 28,0    | 27      |
| XRT NW 20 10 20 HL VA | L     | PN 315                | 22      | 12      | 22      | 35,0    | 27,5    | 35,0    | 27,5    | 35,0    | 28,0    | 27      |
| XRT NW 20 13 13 HL VA | L     | PN 315                | 22      | 15      | 15      | 35,0    | 27,5    | 35,0    | 28,0    | 35,0    | 28,0    | 27      |
| XRT NW 20 13 20 HL VA | L     | PN 315                | 22      | 15      | 22      | 35,0    | 27,5    | 35,0    | 27,5    | 35,0    | 28,0    | 27      |
| XRT NW 20 16 16 HL VA | L     | PN 315                | 22      | 18      | 18      | 35,0    | 27,5    | 35,0    | 27,5    | 35,0    | 27,5    | 27      |
| XRT NW 20 20 16 HL VA | L     | PN 315                | 22      | 18      | 22      | 35,0    | 27,5    | 35,0    | 27,5    | 35,0    | 27,5    | 27      |
| XRT NW 25 08 25 HL VA | L     | PN 250                | 28      | 10      | 28      | 38,0    | 30,5    | 38,0    | 30,5    | 38,0    | 31,0    | 36      |
| XRT NW 25 10 25 HL VA | L     | PN 250                | 28      | 12      | 28      | 38,0    | 30,5    | 38,0    | 30,5    | 38,0    | 31,0    | 36      |
| XRT NW 25 13 25 HL VA | L     | PN 250                | 28      | 15      | 28      | 38,0    | 30,5    | 38,0    | 30,5    | 38,0    | 31,0    | 36      |
| XRT NW 25 16 25 HL VA | L     | PN 250                | 28      | 18      | 28      | 38,0    | 30,5    | 38,0    | 30,5    | 38,0    | 30,5    | 36      |
| XRT NW 25 20 20 HL VA | L     | PN 250                | 28      | 22      | 22      | 38,0    | 30,5    | 38,0    | 30,5    | 38,0    | 30,5    | 36      |
| XRT NW 25 20 25 HL VA | L     | PN 250                | 28      | 22      | 28      | 38,0    | 30,5    | 38,0    | 30,5    | 38,0    | 30,5    | 36      |
| XRT NW 32 10 32 HL VA | L     | PN 160                | 35      | 12      | 35      | 45,0    | 34,5    | 45,0    | 34,5    | 45,0    | 38,0    | 41      |



Несмотря на тщательную проверку мы не можем исключить ошибки, поэтому мы не берем на себя ответственность за содержащуюся информацию.

25.03.2025

HANSA-FLEX AG

www.hansa-flex.com

1

### Изделие

| Наименование          | Серия | Рабочее давление, бар | D1 (mm) | D2 (mm) | D3 (mm) | L1 (mm) | L2 (mm) | L3 (mm) | L4 (mm) | L5 (mm) | L6 (mm) | SW (mm) |
|-----------------------|-------|-----------------------|---------|---------|---------|---------|---------|---------|---------|---------|---------|---------|
| XRT NW 32 20 32 HL VA | L     | PN 250                | 35      | 22      | 35      | 45,0    | 34,5    | 45,0    | 34,5    | 45,0    | 37,5    | 41      |
| XRT NW 32 25 32 HL VA | L     | PN 250                | 35      | 28      | 35      | 45,0    | 34,5    | 45,0    | 34,5    | 45,0    | 37,5    | 41      |
| XRT NW 40 16 40 HL VA | L     | PN 160                | 42      | 18      | 42      | 51,0    | 40,0    | 51,0    | 40,0    | 51,0    | 43,5    | 50      |
| XRT NW 40 20 40 HL VA | L     | PN 160                | 42      | 22      | 42      | 51,0    | 40,0    | 51,0    | 40,0    | 40,0    | 48,0    | 50      |
| XRT NW 40 25 40 HL VA | L     | PN 160                | 42      | 28      | 42      | 51,0    | 40,0    | 51,0    | 40,0    | 49,0    | 41,5    | 50      |
| XRT NW 06 03 06 HS VA | S     | PN 630                | 10      | 6       | 10      | 25,0    | 17,5    | 25,0    | 17,5    | 25,0    | 18,0    | 17      |
| XRT NW 08 03 08 HS VA | S     | PN 630                | 12      | 6       | 12      | 24,5    | 17,0    | 24,5    | 17,0    | 24,0    | 17,0    | 17      |
| XRT NW 08 04 04 HS VA | S     | PN 630                | 12      | 8       | 8       | 29,0    | 21,5    | 29,0    | 22,0    | 29,0    | 22,0    | 17      |
| XRT NW 08 04 08 HS VA | S     | PN 630                | 12      | 8       | 12      | 29,0    | 21,5    | 29,0    | 21,5    | 29,0    | 22,0    | 17      |
| XRT NW 08 06 08 HS VA | S     | PN 630                | 12      | 10      | 12      | 29,0    | 21,5    | 29,0    | 21,5    | 29,0    | 21,5    | 17      |
| XRT NW 08 13 08 HS VA | S     | PN 400                | 12      | 16      | 12      | 33,0    | 25,5    | 33,0    | 25,5    | 33,0    | 24,5    | 24      |
| XRT NW 10 06 10 HS VA | S     | PN 630                | 14      | 10      | 14      | 30,0    | 22,0    | 30,0    | 22,0    | 30,0    | 22,5    | 19      |
| XRT NW 13 03 13 HS VA | S     | PN 400                | 16      | 6       | 16      | 33,0    | 24,5    | 33,0    | 24,5    | 33,0    | 26,0    | 24      |
| XRT NW 13 04 13 HS VA | S     | PN 400                | 16      | 8       | 16      | 33,0    | 24,5    | 33,0    | 24,5    | 33,0    | 26,0    | 24      |
| XRT NW 13 06 13 HS VA | S     | PN 400                | 16      | 10      | 16      | 33,0    | 24,5    | 33,0    | 24,5    | 33,0    | 25,5    | 24      |
| XRT NW 13 08 13 HS VA | S     | PN 400                | 16      | 12      | 16      | 33,0    | 24,5    | 33,0    | 24,5    | 33,0    | 25,5    | 24      |
| XRT NW 13 16 13 HS VA | S     | PN 400                | 16      | 20      | 16      | 37,0    | 28,5    | 37,0    | 28,5    | 37,0    | 26,5    | 27      |
| XRT NW 16 06 16 HS VA | S     | PN 400                | 20      | 10      | 20      | 37,0    | 26,5    | 37,0    | 26,5    | 37,0    | 29,5    | 27      |
| XRT NW 16 08 16 HS VA | S     | PN 400                | 20      | 12      | 20      | 37,0    | 26,5    | 37,0    | 26,5    | 37,0    | 29,5    | 27      |
| XRT NW 16 10 16 HS VA | S     | PN 400                | 20      | 14      | 20      | 37,0    | 26,5    | 37,0    | 26,5    | 37,5    | 29,5    | 27      |
| XRT NW 16 13 16 HS VA | S     | PN 400                | 20      | 16      | 20      | 37,0    | 26,5    | 37,0    | 26,5    | 37,0    | 28,5    | 27      |
| XRT NW 16 20 16 HS VA | S     | PN 400                | 20      | 25      | 20      | 42,0    | 31,5    | 42,0    | 31,5    | 42,0    | 30,0    | 36      |
| XRT NW 20 06 20 HS VA | S     | PN 400                | 25      | 10      | 25      | 42,0    | 30,0    | 42,0    | 30,0    | 42,5    | 35,0    | 36      |
| XRT NW 20 13 20 HS VA | S     | PN 400                | 25      | 16      | 25      | 42,0    | 30,0    | 42,0    | 30,0    | 42,0    | 33,5    | 36      |
| XRT NW 20 16 20 HS VA | S     | PN 400                | 25      | 20      | 25      | 42,0    | 30,0    | 42,0    | 30,0    | 42,0    | 31,5    | 36      |
| XRT NW 20 25 20 HS VA | S     | PN 400                | 25      | 30      | 25      | 49,0    | 37,0    | 49,0    | 37,0    | 49,0    | 35,5    | 41      |
| XRT NW 25 13 25 HS VA | S     | PN 400                | 30      | 16      | 30      | 49,0    | 35,5    | 49,0    | 35,5    | 49,0    | 40,5    | 41      |
| XRT NW 25 16 25 HS VA | S     | PN 400                | 30      | 20      | 30      | 49,0    | 35,5    | 49,0    | 35,5    | 49,0    | 38,5    | 41      |
| XRT NW 25 20 25 HS VA | S     | PN 400                | 30      | 25      | 30      | 49,0    | 35,5    | 49,0    | 35,5    | 49,0    | 37,0    | 41      |
| XRT NW 32 20 32 HS VA | S     | PN 315                | 38      | 25      | 38      | 57,0    | 41,0    | 57,0    | 41,0    | 57,0    | 45,0    | 50      |
| XRT NW 32 25 32 HS VA | S     | PN 315                | 38      | 30      | 38      | 57,0    | 41,0    | 57,0    | 41,0    | 57,0    | 43,5    | 50      |

Серия: LL = очень легкая L = легкая S = тяжелая - PN = номинальное давление PB = макс. рабочее давление - D1, D2, D3 = наружный диаметр трубы - TGL = M 27 x 2

### Варианты изделия

|       |  |
|-------|--|
| XRT   | Редукционное резьбовое соединение, Т-образное, Сталь             |
| RT VA | Редукционное резьбовое соединение, Т-образное, нержавеющая сталь |