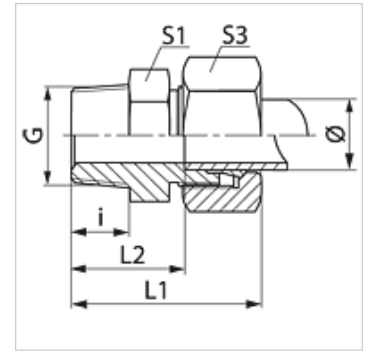


Свойства

| | |
|--------------------|---|
| Соединение 1 | Наружная резьба NPT |
| Форма уплотнения 1 | Резьбовое уплотнение |
| Соединение 2 | Метрическая наружная резьба, цилиндрическая |
| Форма уплотнения 2 | Внутренний конус 24° |
| Модель | Ввертное резьбовое соединение |
| Конструкция | прямые |
| Норма | DIN 2353 ISO 8434-1 |
| Комплект поставки | Штуцер с накидной гайкой и режущим кольцом |
| Материал | нержавеющая сталь |



Указание

Указания по монтажу, установке, нагрузке давлением и допустимым рабочим температурам представлены в технической информации для резьбовых трубных соединений.

Изделие

| Наименование | Серия | Рабочее давление, бар | Наружный Ø трубы (mm) | G | i (mm) | L1 (mm) | L2 (mm) | S1 | S3 |
|----------------------|-------|-----------------------|-----------------------|------------------|--------|---------|---------|----|----|
| VN 04 LL VA | LL | PN 100 | 4 | 1/8" -27 NPT | 10,0 | 28,0 | 18,0 | 11 | 10 |
| VN 06 LL VA | LL | PN 100 | 6 | 1/8" -27 NPT | 10,0 | 28,0 | 16,5 | 11 | 12 |
| VN 08 LL VA | LL | PN 100 | 8 | 1/8" -27 NPT | 10,0 | 30,0 | 18,5 | 12 | 14 |
| VN NW 04 HL VA | L | PN 315 | 6 | 1/8" -27 NPT | 10,0 | 32,0 | 17,0 | 12 | 14 |
| VN NW 04 HL 1/4 VA | L | PN 315 | 6 | 1/4" -18 NPT | 15,0 | 38,0 | 23,0 | 17 | 14 |
| VN NW 04 HL 3/8 VA | L | PN 315 | 6 | 3/8" -18 NPT | 15,0 | 39,0 | 24,0 | 19 | 14 |
| VN NW 04 HL 1/2 VA | L | PN 315 | 6 | 1/2" -14 NPT | 20,0 | 44,0 | 29,0 | 24 | 14 |
| VN NW 06 HL 1/8 VA | L | PN 315 | 8 | 1/8" -27 NPT | 10,0 | 38,0 | 23,0 | 12 | 17 |
| VN NW 06 HL VA | L | PN 315 | 8 | 1/4" -18 NPT | 15,0 | 38,0 | 23,0 | 17 | 17 |
| VN NW 06 HL 3/8 VA | L | PN 315 | 8 | 3/8" -18 NPT | 15,5 | 39,0 | 24,0 | 19 | 17 |
| VN NW 06 HL 1/2 VA | L | PN 315 | 8 | 1/2" -14 NPT | 20,0 | 44,0 | 29,0 | 24 | 17 |
| VN NW 08 HL 1/8 VA | L | PN 315 | 10 | 1/8" -27 NPT | 15,5 | 39,5 | 25,0 | 19 | 19 |
| VN NW 08 HL VA | L | PN 315 | 10 | 1/4" -18 NPT | 15,0 | 39,0 | 24,0 | 17 | 19 |
| VN NW 08 HL 3/8 VA | L | PN 315 | 10 | 3/8" -18 NPT | 15,2 | 40,0 | 25,0 | 19 | 19 |
| VN NW 08 HL 1/2 VA | L | PN 315 | 10 | 1/2" -14 NPT | 20,0 | 45,0 | 30,0 | 24 | 19 |
| VN NW 08 HL 3/4 VA | L | PN 315 | 10 | 3/4" -14 NPT | 20,0 | 46,0 | 31,0 | 27 | 19 |
| VN NW 10 HL 1/8 VA | L | PN 315 | 12 | 1/8" -27 NPT | 15,0 | 40,0 | 25,0 | 19 | 22 |
| VN NW 10 HL 1/4 VA | L | PN 315 | 12 | 1/4" -18 NPT | 15,0 | 40,0 | 25,0 | 19 | 22 |
| VN NW 10 HL VA | L | PN 315 | 12 | 3/8" -18 NPT | 15,5 | 40,0 | 25,0 | 19 | 22 |
| VN NW 10 HL 1/2 VA | L | PN 315 | 12 | 1/2" -14 NPT | 20,0 | 45,0 | 30,0 | 24 | 22 |
| VN NW 10 HL 3/4 VA | L | PN 315 | 12 | 3/4" -14 NPT | 20,0 | 45,0 | 32,0 | 32 | 22 |
| VN NW 13 HL 1/4 VA | L | PN 315 | 15 | 1/4" -18 NPT | 15,0 | 40,0 | 25,0 | 19 | 22 |
| VN NW 13 HL 3/8 VA | L | PN 315 | 15 | 3/8" -18 NPT | 15,5 | 41,5 | 26,5 | 24 | 27 |
| VN NW 13 HL VA | L | PN 315 | 15 | 1/2" -14 NPT | 20,0 | 46,0 | 31,0 | 24 | 27 |
| VN NW 13 HL 3/4 VA | L | PN 315 | 15 | 3/4" -14 NPT | 20,0 | 46,0 | 32,0 | 32 | 27 |
| VN NW 13 HL 1 VA | L | PN 315 | 15 | 1" -11,5 NPT | 24,5 | 52,5 | 37,5 | 36 | 27 |
| VN NW 16 HL 3/8 VA | L | PN 315 | 18 | 3/8" -18 NPT | 15,3 | 43,0 | 26,5 | 27 | 32 |
| VN NW 16 HL VA | L | PN 315 | 18 | 1/2" -14 NPT | 20,0 | 48,0 | 31,5 | 27 | 32 |
| VN NW 16 HL 3/4 VA | L | PN 315 | 18 | 3/4" -14 NPT | 20,0 | 48,5 | 32,0 | 32 | 32 |
| VN NW 16 HL 1 VA | L | PN 315 | 18 | 1" -11,5 NPT | 25,0 | 54,0 | 37,5 | 36 | 32 |
| VN NW 20 HL 3/8 VA | L | PN 160 | 22 | 3/8" -18 NPT | 15,3 | 45,0 | 28,5 | 32 | 36 |
| VN NW 20 HL 1/2 VA | L | PN 160 | 22 | 1/2" -14 NPT | 20,0 | 50,0 | 33,5 | 32 | 36 |
| VN NW 20 HL VA | L | PN 160 | 22 | 3/4" -14 NPT | 20,0 | 50,0 | 33,5 | 32 | 36 |
| VN NW 20 HL 1 VA | L | PN 160 | 22 | 1" -11,5 NPT | 25,0 | 56,0 | 39,5 | 36 | 36 |
| VN NW 20 HL 1 1/4 VA | L | PN 160 | 22 | 1.1/4" -11,5 NPT | 25,5 | 68,0 | 46,5 | 46 | 36 |
| VN NW 25 HL 1/2 VA | L | PN 160 | 28 | 1/2" -14 NPT | 20,0 | 56,0 | 35,0 | 41 | 41 |
| VN NW 25 HL 3/4 VA | L | PN 160 | 28 | 3/4" -14 NPT | 20,0 | 51,0 | 34,5 | 41 | 41 |
| VN NW 25 HL VA | L | PN 160 | 28 | 1" -11,5 NPT | 25,0 | 56,0 | 39,5 | 41 | 41 |
| VN NW 25 HL 1 1/4 VA | L | PN 160 | 28 | 1.1/4" -11,5 NPT | 25,5 | 48,0 | 41,5 | 46 | 41 |
| VN NW 32 HL 3/4 VA | L | PN 160 | 35 | 3/4" -14 NPT | 20,0 | 56,5 | 35,0 | 46 | 50 |
| VN NW 32 HL 1 VA | L | PN 160 | 35 | 1" -11,5 NPT | 25,0 | 62,0 | 40,5 | 41 | 50 |



Изделие

| Наименование | Серия | Рабочее давление, бар | Наружный Ø трубы (mm) | G | i (mm) | L1 (mm) | L2 (mm) | S1 | S3 |
|----------------------|-------|-----------------------|-----------------------|------------------|--------|---------|---------|----|----|
| VN NW 32 HL VA | L | PN 160 | 35 | 1.1/4" -11,5 NPT | 25,5 | 62,0 | 40,5 | 46 | 50 |
| VN NW 32 HL 1 1/2 VA | L | PN 160 | 35 | 1.1/2" -11,5 NPT | 26,0 | 69,0 | 42,5 | 55 | 50 |
| VN NW 40 HL 1 VA | L | PN 160 | 42 | 1" -11,5 NPT | 25,0 | 64,0 | 41,0 | 55 | 60 |
| VN NW 40 HL 1 1/4 VA | L | PN 160 | 42 | 1.1/4" -11,5 NPT | 25,5 | 65,0 | 42,0 | 55 | 60 |
| VN NW 40 HL VA | L | PN 160 | 42 | 1.1/2" -11,5 NPT | 26,0 | 65,0 | 42,0 | 55 | 60 |
| VN NW 03 HS 1/8 VA | S | PN 630 | 6 | 1/8" -27 NPT | 10,0 | 36,0 | 21,0 | 14 | 17 |
| VN NW 03 HS VA | S | PN 630 | 6 | 1/4" -18 NPT | 15,0 | 43,0 | 28,0 | 17 | 17 |
| VN NW 03 HS 3/8 VA | S | PN 630 | 6 | 3/8" -18 NPT | 15,3 | 41,0 | 26,0 | 19 | 17 |
| VN NW 03 HS 1/2 VA | S | PN 630 | 6 | 1/2" -14 NPT | 20,0 | 50,0 | 35,0 | 24 | 17 |
| VN NW 04 HS 1/8 VA | S | PN 630 | 8 | 1/8" -27 NPT | 10,0 | 38,0 | 23,0 | 17 | 19 |
| VN NW 04 HS VA | S | PN 630 | 8 | 1/4" -18 NPT | 15,0 | 43,0 | 28,0 | 17 | 19 |
| VN NW 04 HS 3/8 VA | S | PN 630 | 8 | 3/8" -18 NPT | 15,5 | 43,0 | 28,0 | 19 | 19 |
| VN NW 04 HS 1/2 VA | S | PN 630 | 8 | 1/2" -14 NPT | 20,0 | 50,0 | 35,0 | 22 | 19 |
| VN NW 06 HS 1/8 VA | S | PN 630 | 10 | 1/8" -27 NPT | 10,0 | 39,0 | 22,5 | 19 | 22 |
| VN NW 06 HS 1/4 VA | S | PN 630 | 10 | 1/4" -18 NPT | 15,0 | 44,0 | 27,5 | 19 | 22 |
| VN NW 06 HS VA | S | PN 630 | 10 | 3/8" -18 NPT | 15,5 | 44,0 | 27,5 | 19 | 22 |
| VN NW 06 HS 1/2 VA | S | PN 400 | 10 | 1/2" -14 NPT | 20,0 | 51,0 | 34,5 | 24 | 22 |
| VN NW 06 HS 3/4 VA | S | PN 630 | 10 | 3/4" -14 NPT | 20,0 | 53,0 | 36,5 | 27 | 22 |
| VN NW 08 HS 1/4 VA | S | PN 630 | 12 | 1/4" -18 NPT | 15,1 | 46,0 | 29,5 | 22 | 24 |
| VN NW 08 HS VA | S | PN 630 | 12 | 3/8" -18 NPT | 15,5 | 46,0 | 29,5 | 22 | 24 |
| VN NW 08 HS 1/2 VA | S | PN 630 | 12 | 1/2" -14 NPT | 20,0 | 51,0 | 34,5 | 24 | 24 |
| VN NW 08 HS 3/4 VA | S | PN 630 | 12 | 3/4" -14 NPT | 20,0 | 53,0 | 36,5 | 27 | 24 |
| VN NW 10 HS 3/8 VA | S | PN 630 | 14 | 3/8" -18 NPT | 15,5 | 54,0 | 36,0 | 19 | 27 |
| VN NW 10 HS VA | S | PN 630 | 14 | 1/2" -14 NPT | 20,0 | 54,0 | 36,0 | 24 | 27 |
| VN NW 10 HS 3/4 VA | S | PN 630 | 14 | 3/4" -14 NPT | 20,0 | 56,0 | 38,0 | 27 | 27 |
| VN NW 10 HS 1 VA | S | PN 630 | 14 | 1" -11,5 NPT | 24,5 | 61,0 | 43,0 | 36 | 27 |
| VN NW 13 HS 3/8 VA | S | PN 400 | 16 | 3/8" -18 NPT | 15,3 | 49,0 | 30,5 | 27 | 30 |
| VN NW 13 HS VA | S | PN 400 | 16 | 1/2" -14 NPT | 20,0 | 54,0 | 35,5 | 27 | 30 |
| VN NW 13 HS 3/4 VA | S | PN 400 | 16 | 3/4" -14 NPT | 20,0 | 56,0 | 37,5 | 30 | 30 |
| VN NW 13 HS 1 VA | S | PN 400 | 16 | 1" -11,5 NPT | 25,0 | 63,0 | 44,5 | 36 | 30 |
| VN NW 16 HS 3/8 VA | S | PN 400 | 20 | 3/8" -18 NPT | 15,3 | 54,5 | 33,0 | 32 | 36 |
| VN NW 16 HS 1/2 VA | S | PN 400 | 20 | 1/2" -14 NPT | 20,0 | 59,0 | 37,5 | 32 | 30 |
| VN NW 16 HS VA | S | PN 400 | 20 | 3/4" -14 NPT | 20,0 | 59,0 | 37,5 | 32 | 36 |
| VN NW 16 HS 1 VA | S | PN 400 | 20 | 1" -11,5 NPT | 25,0 | 66,0 | 44,5 | 36 | 36 |
| VN NW 16 HS 1 1/4 VA | S | PN 400 | 20 | 1.1/4" -11,5 NPT | 25,5 | 67,0 | 45,5 | 46 | 36 |
| VN NW 20 HS 1/2 VA | S | PN 400 | 25 | 1/2" -14 NPT | 20,0 | 64,0 | 40,0 | 41 | 46 |
| VN NW 20 HS 3/4 VA | S | PN 400 | 25 | 3/4" -14 NPT | 20,0 | 64,0 | 40,0 | 41 | 46 |
| VN NW 20 HS VA | S | PN 400 | 25 | 1" -11,5 NPT | 25,0 | 69,0 | 45,0 | 41 | 46 |
| VN NW 20 HS 1 1/4 VA | S | PN 400 | 25 | 1.1/4" -11,5 NPT | 25,5 | 69,0 | 45,5 | 46 | 46 |
| VN NW 20 HS 1 1/2 VA | S | PN 400 | 25 | 1.1/2" -11,5 NPT | 26,0 | 73,0 | 49,0 | 50 | 46 |
| VN NW 25 HS 3/4 VA | S | PN 400 | 30 | 3/4" -14 NPT | 20,0 | 67,0 | 40,5 | 46 | 50 |
| VN NW 25 HS 1 VA | S | PN 400 | 30 | 1" -11,5 NPT | 25,0 | 66,5 | 40,0 | 46 | 50 |
| VN NW 25 HS VA | S | PN 400 | 30 | 1.1/4" -11,5 NPT | 25,5 | 73,0 | 46,5 | 46 | 50 |
| VN NW 25 HS 1 1/2 VA | S | PN 400 | 30 | 1.1/2" -11,5 NPT | 26,0 | 73,0 | 46,5 | 55 | 50 |
| VN NW 32 HS 1 VA | S | PN 315 | 38 | 1" -11,5 NPT | 25,0 | 79,0 | 48,0 | 55 | 60 |
| VN NW 32 HS 1 1/4 VA | S | PN 315 | 38 | 1.1/4" -11,5 NPT | 25,5 | 80,0 | 49,0 | 55 | 60 |
| VN NW 32 HS VA | S | PN 315 | 38 | 1.1/2" -11,5 NPT | 26,0 | 80,0 | 49,0 | 55 | 60 |

Серия: LL = очень легкая L = легкая S = тяжелая - PN = номинальное давление PB = макс. рабочее давление - Ø = наружный диаметр трубы

Варианты изделия

| | |
|--------|--|
| VN | Ввертное резьбовое соединение, Сталь |
| VN MG | Ввертное резьбовое соединение, Латунь |
| XVN VA | Ввертное резьбовое соединение, нержавеющая сталь |