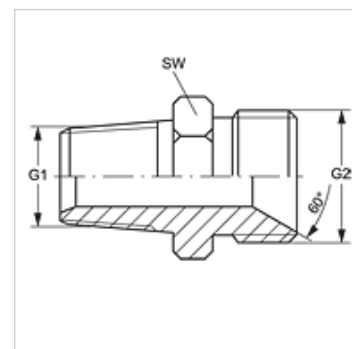


Свойства

Соединение 1	Наружная резьба BSPT, коническая
Форма уплотнения 1	Резьбовое уплотнение
Соединение 2	Наружная резьба BSP, цилиндрическая
Форма уплотнения 2	Внутренний конус 60°
Модель	Ввертный штуцер
Конструкция	прямые
Материал	Сталь
Защита поверхности	Гальваническое покрытие



Изделие

Наименование	G1	G2	SW (mm)
GE HRK 02 HB	R 1/8" K	G 1/8" -28	14
GE HRK 02 HB 04	R 1/8" K	G 1/4" -19	14
GE HRK 02 HB 06	R 1/8" K	G 3/8" -19	19
GE HRK 04 HB 02	R 1/4" K	G 1/8" -28	14
GE HRK 04 HB	R 1/4" K	G 1/4" -19	19
GE HRK 04 HB 06	R 1/4" K	G 3/8" -19	22
GE HRK 04 HB 08	R 1/4" K	G 1/2" -14	27
GE HRK 04 HB 12	R 1/4" K	G 3/4" -14	32
GE HRK 06 HB 02	R 3/8" K	G 1/8" -28	19
GE HRK 06 HB 04	R 3/8" K	G 1/4" -19	19
GE HRK 06 HB	R 3/8" K	G 3/8" -19	22
GE HRK 06 HB 08	R 3/8" K	G 1/2" -14	22
GE HRK 06 HB 10	R 3/8" K	G 5/8" -14	30
GE HRK 06 HB 12	R 3/8" K	G 3/4" -14	32
GE HRK 08 HB 04	R 1/2" K	G 1/4" -19	22
GE HRK 08 HB 06	R 1/2" K	G 3/8" -19	22
GE HRK 08 HB	R 1/2" K	G 1/2" -14	27
GE HRK 08 HB 10	R 1/2" K	G 5/8" -14	30
GE HRK 08 HB 12	R 1/2" K	G 3/4" -14	32
GE HRK 08 HB 16	R 1/2" K	G 1" -11	41
GE HRK 10 HB 08	R 5/8" K	G 1/2" -14	30
GE HRK 10 HB	R 5/8" K	G 5/8" -14	30
GE HRK 10 HB 12	R 5/8" K	G 3/4" -14	32
GE HRK 12 HB 04	R 3/4" K	G 1/4" -19	30
GE HRK 12 HB 06	R 3/4" K	G 3/8" -19	30
GE HRK 12 HB 08	R 3/4" K	G 1/2" -14	30
GE HRK 12 HB 10	R 3/4" K	G 5/8" -14	30
GE HRK 12 HB	R 3/4" K	G 3/4" -14	27
GE HRK 12 HB 16	R 3/4" K	G 1" -11	36
GE HRK 12 HB 20	R 3/4" K	G 1.1/4" -11	50
GE HRK 16 HB 06	R 1" K	G 3/8" -19	36
GE HRK 16 HB 08	R 1" K	G 1/2" -14	36
GE HRK 16 HB 12	R 1" K	G 3/4" -14	36
GE HRK 16 HB	R 1" K	G 1" -11	36
GE HRK 16 HB 20	R 1" K	G 1.1/4" -11	50
GE HRK 16 HB 24	R 1" K	G 1.1/2" -11	55
GE HRK 20 HB 12	R 1.1/4" K	G 3/4" -14	50
GE HRK 20 HB 16	R 1.1/4" K	G 1" -11	50
GE HRK 20 HB	R 1.1/4" K	G 1.1/4" -11	50
GE HRK 20 HB 24	R 1.1/4" K	G 1.1/2" -11	55
GE HRK 20 HB 32	R 1.1/4" K	G 2" -11	60
GE HRK 24 HB 16	R 1.1/2" K	G 1" -11	55
GE HRK 24 HB 20	R 1.1/2" K	G 1.1/4" -11	55
GE HRK 24 HB	R 1.1/2" K	G 1.1/2" -11	55
GE HRK 24 HB 32	R 1.1/2" K	G 2" -11	60
GE HRK 32 HB 16	R 2" K	G 1" -11	65
GE HRK 32 HB 20	R 2" K	G 1.1/4" -11	65
GE HRK 32 HB 24	R 2" K	G 1.1/2" -11	65
GE HRK 32 HB	R 2" K	G 2" -11	65
GE HRK 40 HB	R 2.1/2" K	G 2.1/2" -11	70



Варианты изделия

GE HRK HB VA Ввертный шуцер, нержавеющая сталь
