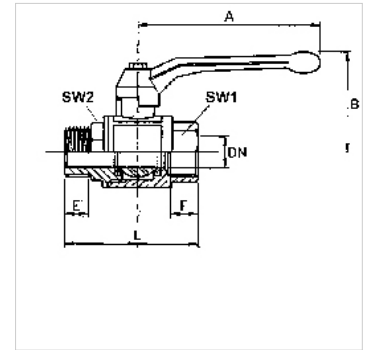


K-BKR HANDHEBEL IG AG

Ball valves with hand lever, female/male thread

Свойства

| | |
|----------------------------|--|
| Область применения | Compressed air, water, non-toxic and neutral gases, heating oil (EL),(S), lubricants, dieseloil, water beased coatings |
| Рабочая температура | -20 °C to +130 °C |
| Резьба, описание | G thread acc. to DIN EN ISO 228-1, R thread acc. to DIN EN 10226 (ISO 7-1) |
| Корпус | Nickel-plated brass |
| Рычаг | Alu, painted black |
| Шар | hardchrome-plated brass |
| Уплотнение шара | PTFE |
| Уплотнение шпинделя | PTFE |



Указание

Прочие данные только по запросу.

Изделие

| Наименование | DN | Резьба | PN (бар) | A (mm) | B (mm) | E (mm) | F (mm) | L (mm) | SW1 (mm) | SW2 (mm) |
|----------------|----|-----------|----------|--------|--------|--------|--------|--------|----------|----------|
| K- 07 30 00 17 | 8 | G/R 1/4 | 80 | 75,0 | 51,5 | 11,0 | 7,0 | 49,0 | 18 | 18 |
| K- 07 30 00 18 | 10 | G/R 3/8 | 80 | 75,0 | 54,0 | 11,0 | 8,5 | 56,0 | 21 | 21 |
| K- 07 30 00 19 | 15 | G/R 1/2 | 80 | 100,0 | 64,0 | 14,9 | 8,5 | 68,0 | 26 | 27 |
| K- 07 30 00 20 | 20 | G/R 3/4 | 80 | 100,0 | 68,0 | 16,0 | 14,0 | 77,0 | 32 | 33 |
| K- 07 30 00 21 | 25 | G/R 1 | 80 | 120,0 | 80,0 | 19,0 | 15,0 | 89,0 | 39 | 40 |
| K- 07 30 00 22 | 32 | G/R 1 1/4 | 80 | 150,0 | 95,0 | 21,2 | 16,0 | 100,0 | 49 | 50 |
| K- 07 30 00 23 | 40 | G/R 1 1/2 | 80 | 150,0 | 103,0 | 21,2 | 18,0 | 114,5 | 56 | 57 |
| K- 07 30 00 24 | 50 | G/R 2 | 80 | 175,0 | 115,5 | 25,5 | 21,0 | 136,0 | 69 | 70 |