

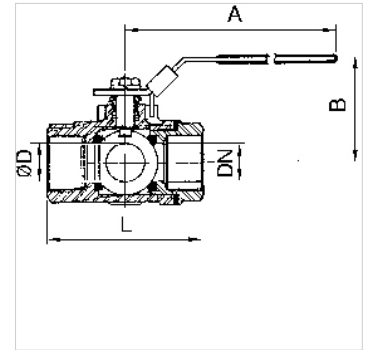
K-3 BKR L VA

3-way ball valves, L-bore

HANSA FLEX

Свойства

Рабочее давление	max. 63 bar
Рабочая температура	max. 160 °C
Отверстие	L-образная форма
Ориентировочные значения	Up to 40 °C: 63 bar, 150 °C: 28 bar
Уплотнение	RTFE
Рукоятка	Stainless steel
Шаровой кран	Stainless steel 1.4408



Указание

G thread acc. to DIN EN ISO 228-1, with ISO flange plate (acc. to ISO 5211)

Прочие данные только по запросу.

Описание

With L-bore, reduced bore. Version for sealing on all sides with integrated ISO flange plate (ISO 5211). The lever can be turned 360° to allow several switching variants.

Указания по заказу

For use on devices that have to be vented whenever they are turned off, either because of safety regulations or for technical reasons. The pneumatic devices are disconnected from the system and simultaneously vented each time they are shut off.

Дополнительная информация

G thread acc. DIN EN ISO 228-1

Изделие

Наименование	DN	Резьба	A (mm)	B (mm)	L (mm)	Ø D (mm)
K- 07 30 15 02	8	G 1/4	114,0	73,0	80,0	11,0
K- 07 30 15 03	10	G 3/8	114,0	73,0	80,0	11,0
K- 07 30 15 04	15	G 1/2	114,0	73,0	80,0	12,5
K- 07 30 15 05	20	G 3/4	133,0	78,0	87,0	16,0
K- 07 30 15 06	25	G 1	133,0	83,0	100,0	20,0
K- 07 30 15 07	32	G 1 1/4	187,0	92,0	123,0	25,0
K- 07 30 15 08	40	G 1 1/2	187,0	98,0	142,0	31,8
K- 07 30 15 09	50	G 2	187,0	126,0	170,0	38,1