

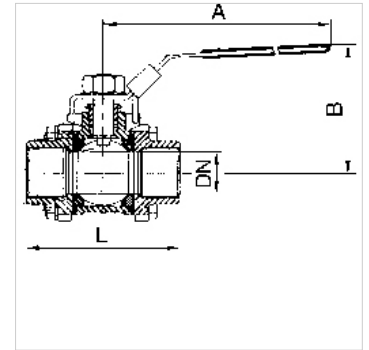
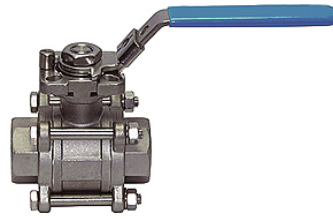
K-BKR GEWINDEAUSLAUF VA

Ball valves

HANSA FLEX

Свойства

| | |
|----------------------------|---|
| Рабочее давление | max. 70 bar (depending on temperature and nominal size) |
| 1.1/4" to 1.1/2" | 20 °C: 70 bar, 60 °C: 55 bar, 100 °C: 35 bar, 150 °C: 6 bar, 180 °C: 4 bar, 200 °C: 0 bar |
| 1/4" bis 1" | 20 °C: 70 bar, 60 °C: 65 bar, 100 °C: 45 bar, 150 °C: 7 bar, 180 °C: 4 bar, 200 °C: 0 bar |
| 2" | 20 °C: 60 bar, 60 °C: 40 bar, 100 °C: 30 bar, 150 °C: 5 bar, 180 °C: 4 bar, 200 °C: 0 bar |
| Рабочая температура | 200 °C at 0 bar |
| Уплотнение | 15 % RPTFE (glass fibre reinforced PTFE) |
| Рукоятка | Stainless steel 1.4301 |



Указание

G thread acc. to DIN EN ISO 228-1, with ISO flange plate (acc. to ISO 5211)
Прочие данные только по запросу.

Указания по заказу

For use on devices that have to be vented whenever they are turned off, either because of safety regulations or for technical reasons. The pneumatic devices are disconnected from the system and simultaneously vented each time they are shut off.

Дополнительная информация

G thread acc. to DIN EN ISO 228-1, with ISO flange plate (acc. to ISO 5211)

Изделие

| Наименование | DN | Резьба | A (mm) | B (mm) | L (mm) | Материал |
|----------------|----|---------|-----------|-----------|-----------|-------------------------------|
| K- 07 30 14 86 | 8 | G 1/4 | 123,0 | 74,0 | 63,0 | Stainless steel 1.4401/1.4408 |
| K- 07 30 14 87 | 10 | G 3/8 | 123,0 | 74,0 | 63,0 | Stainless steel 1.4401/1.4408 |
| K- 07 30 14 88 | 15 | G 1/2 | 123,0 | 74,0 | 63,0 | Stainless steel 1.4401/1.4408 |
| K- 07 30 14 89 | 20 | G 3/4 | 123,0 | 78,0 | 73,0 | Stainless steel 1.4401/1.4408 |
| K- 07 30 14 90 | 25 | G 1 | 153,0 | 89,0 | 85,0 | Stainless steel 1.4401/1.4408 |
| K- 07 30 14 91 | 32 | G 1 1/4 | 153,0 | 94,0 | 96,0 | Stainless steel 1.4401/1.4408 |
| K- 07 30 14 92 | 40 | G 1 1/2 | 183,0 | 110,0 | 114,0 | Stainless steel 1.4401/1.4408 |
| K- 07 30 14 93 | 50 | G 2 | 183,0 | 118,0 | 134,0 | Stainless steel 1.4401/1.4408 |