

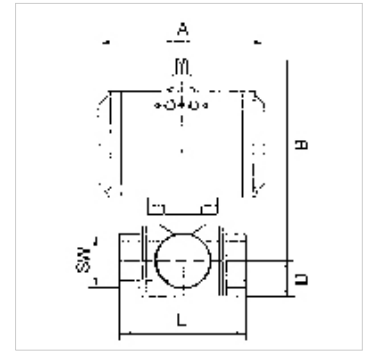
K-BKR STAN EIN FED VA

Stainless steel ball valves, single-acting actuator - spring to close

HANSA FLEX

Свойства

| | |
|--------------------------------|--|
| Модель | Pneumatic actuators, in double- or single acting version, with integrated end-position feedback |
| Рабочее давление | max. 63 bar (depending on temperature and nominal size) |
| Рабочая температура | -20 °C to +70°C |
| Угол поворота | 90 ° |
| Стандартизированные интерфейсы | Interface actuator / valve: four or eight threaded holes in the drive housing according to EN ISO 5211, Interface actuator / S |
| Управляющее давление | 5.5 bar |
| Адаптер для клапана | Acc. to NAMUR |
| Привод | aluminium eloxed |
| Уплотнение привода | NBR |
| Шаровой кран | Stainless steel 1.4401, with ISO-flange plate |
| Уплотнение шарового крана | PTFE |



Указание

Прочие данные только по запросу.

Описание

2-way cock, 3-piece, full bore

Изделие

| Наименование | DN | Резьба | A (mm) | B (mm) | D (mm) | L (mm) | SW (mm) |
|----------------|----|----------|--------|--------|--------|--------|---------|
| K- 07 30 02 59 | 15 | Rp 1/2 | 133,0 | 144,0 | 24,0 | 75,0 | 29 |
| K- 07 30 02 60 | 15 | Rp 1/2 | 116,0 | 135,0 | 24,0 | 75,0 | 29 |
| K- 07 30 02 61 | 20 | Rp 3/4 | 133,0 | 148,0 | 27,0 | 80,0 | 35 |
| K- 07 30 02 62 | 25 | Rp 1 | 137,0 | 170,0 | 33,0 | 90,0 | 41 |
| K- 07 30 02 63 | 32 | Rp 1 1/4 | 161,0 | 188,0 | 37,0 | 110,0 | 50 |
| K- 07 30 02 64 | 40 | Rp 1 1/2 | 180,0 | 198,0 | 40,0 | 120,0 | 58 |
| K- 07 30 02 65 | 50 | Rp 2 | 209,0 | 224,0 | 50,0 | 140,0 | 74 |
| K- 07 30 02 66 | 65 | Rp 2 1/2 | 221,0 | 268,0 | 60,0 | 185,0 | 85 |
| K- 07 30 02 67 | 80 | Rp 3 | 221,0 | 280,0 | 67,0 | 205,0 | 100 |