

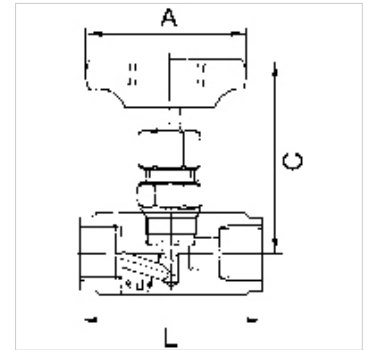
# K-NADELVENTILE VA

Needle valves

**HANSA FLEX**

## Свойства

Рабочее давление	max. 400 bar (at 20 °C); max. 250 bar (at G 1 - 20 °C)
Рабочая температура	-20 °C to +120 °C
Набивочный материал	PTFE
Корпус	Stainless steel 1.4571
маховик	Plastic
Материал	sealing: PTFE



## Указание

G thread acc. to DIN EN ISO 228-1, with ISO flange plate (acc. to ISO 5211)

Прочие данные только по запросу.

## Указания по заказу

For use on devices that have to be vented whenever they are turned off, either because of safety regulations or for technical reasons. The pneumatic devices are disconnected from the system and simultaneously vented each time they are shut off.

## Дополнительная информация

Port sizes G 1 1/4, G 1 1/2 and G 2 available on request

## Изделие

Наименование	DN	Резьба	A (mm)	C (mm)	L (mm)
K- 07 30 24 03	4	G 1/8	50,0	74,0	50,0
K- 07 30 24 04	5	G 1/4	50,0	73,0	50,0
K- 07 30 24 05	6	G 3/8	50,0	72,0	55,0
K- 07 30 24 06	8	G 1/2	63,0	83,0	60,0
K- 07 30 24 07	10	G 3/4	63,0	100,0	75,0
K- 07 30 24 08	12	G 1	80,0	110,0	100,0